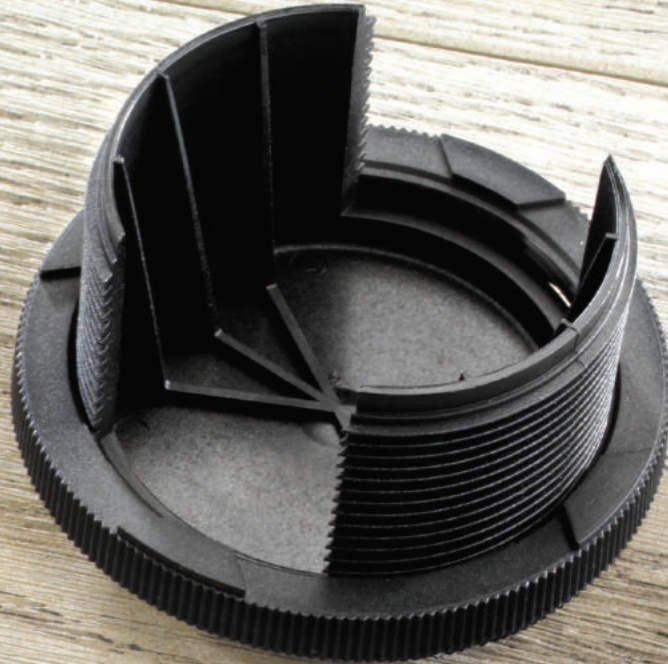


# Installation and User Guide



# Tools

These are the tools that you need to install Millboard.



Circular saw/jigsaw



Dustmask, gloves and safety glasses



Handsaw



String line



Power drill and driver



Spirit level



Tape measure



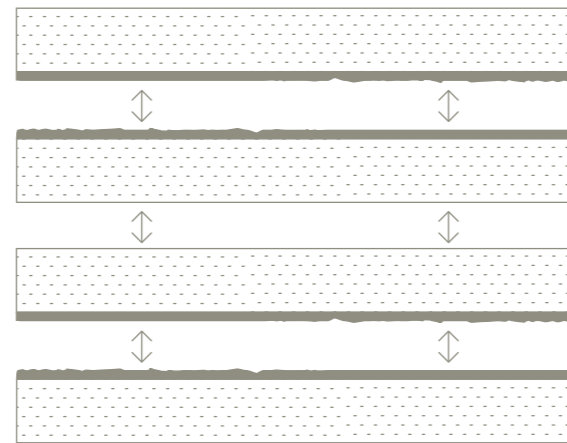
Set Square



# Millboard Installation and User Guide

## Storage and handling

Millboard should always be stored on a flat surface or level bearers a maximum of 400mm apart and stacked face-to-face, not back-to-face. Be careful not to drag the Millboard off the pallet or over each other, as this could cause abrasion or marking on the surface and only move the pallet if the Millboard is safely strapped to it. Wear gloves and long sleeves when handling Millboard and take care when lifting the boards—as Millboard is solid rather than hollow. We recommend that two people carry the boards.



Boards should be stacked face-to-face

## Colour

To recreate the aesthetics of natural products, we intentionally add secondary toning colours. There may be variance within the same board or from board to board in colour tone. This means that samples cut from boards may vary from the general colour of the boarding.

With our range of colours, you can choose what is best for you. As with all products, the darker colours will feel warmer in sunny exposed locations. The lighter colours are normally used in such locations.

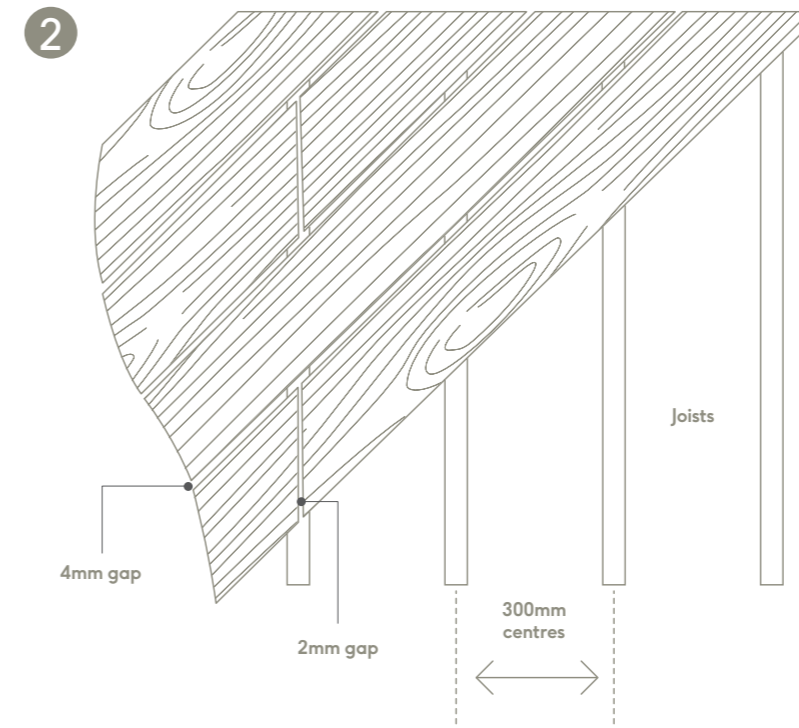
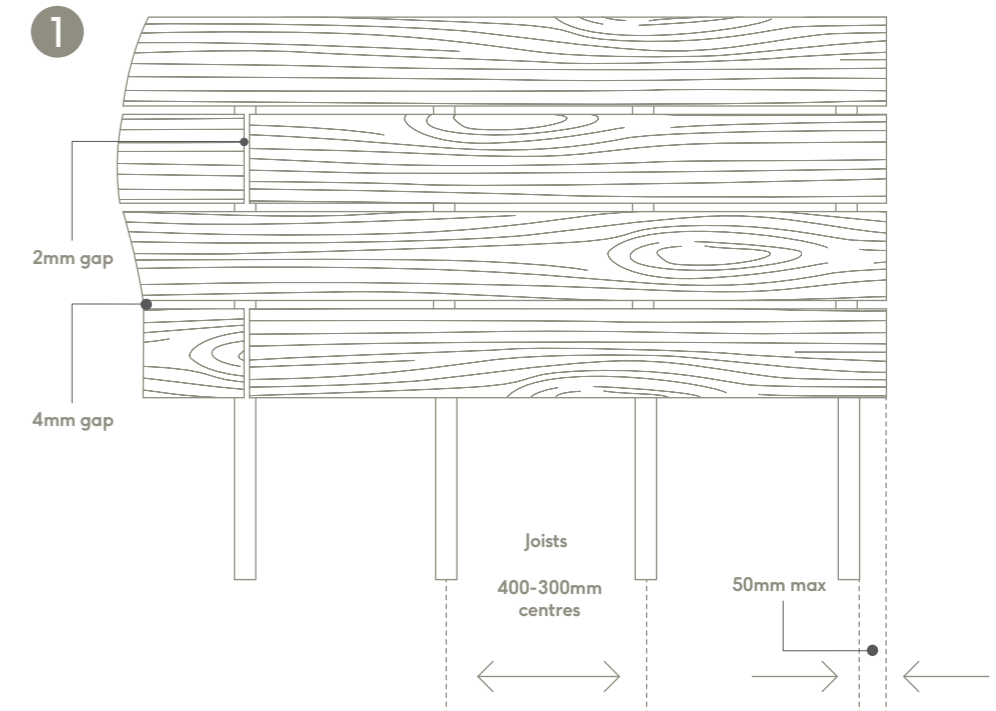
Whilst every care is taken to ensure consistency some colour variation from batch to batch may occur. To avoid this, we recommend that you order all you need in one delivery. If you do have different batches it is best to mix the batches to blend the colours. As with all things constantly exposed to ultra violet light and all weathers, colours will tone slightly in time, this is normal for decking. On delivery if you find the colour unacceptable or believe them to be defective in any way, do not install the boards.



Colour tone may vary from batch to batch

## Joist spacing

Joist spacing of 400mm between joist centres is recommended for normal residential and light commercial use ①. On heavy commercial, bridges, balconies, moorings, doorways and steps, use 300mm between joist centres. If you need to cut Millboard down along the length, then reduce the joist centres accordingly. A minimum of three joists is required for any cut boards.



② For laying 45° to the joist, reduce the joist centres to 300mm for residential and 240mm for commercial use.

Always leave a 10mm expansion gap between ends of bearers and joists.

To install Plas-Pro frame solutions, drill the fixing holes oversize to allow the material to expand. Posts should always have a minimum of a third of their length in the ground, subject to a minimum of 400mm in the ground. Joist ends must always be positioned over bearers.

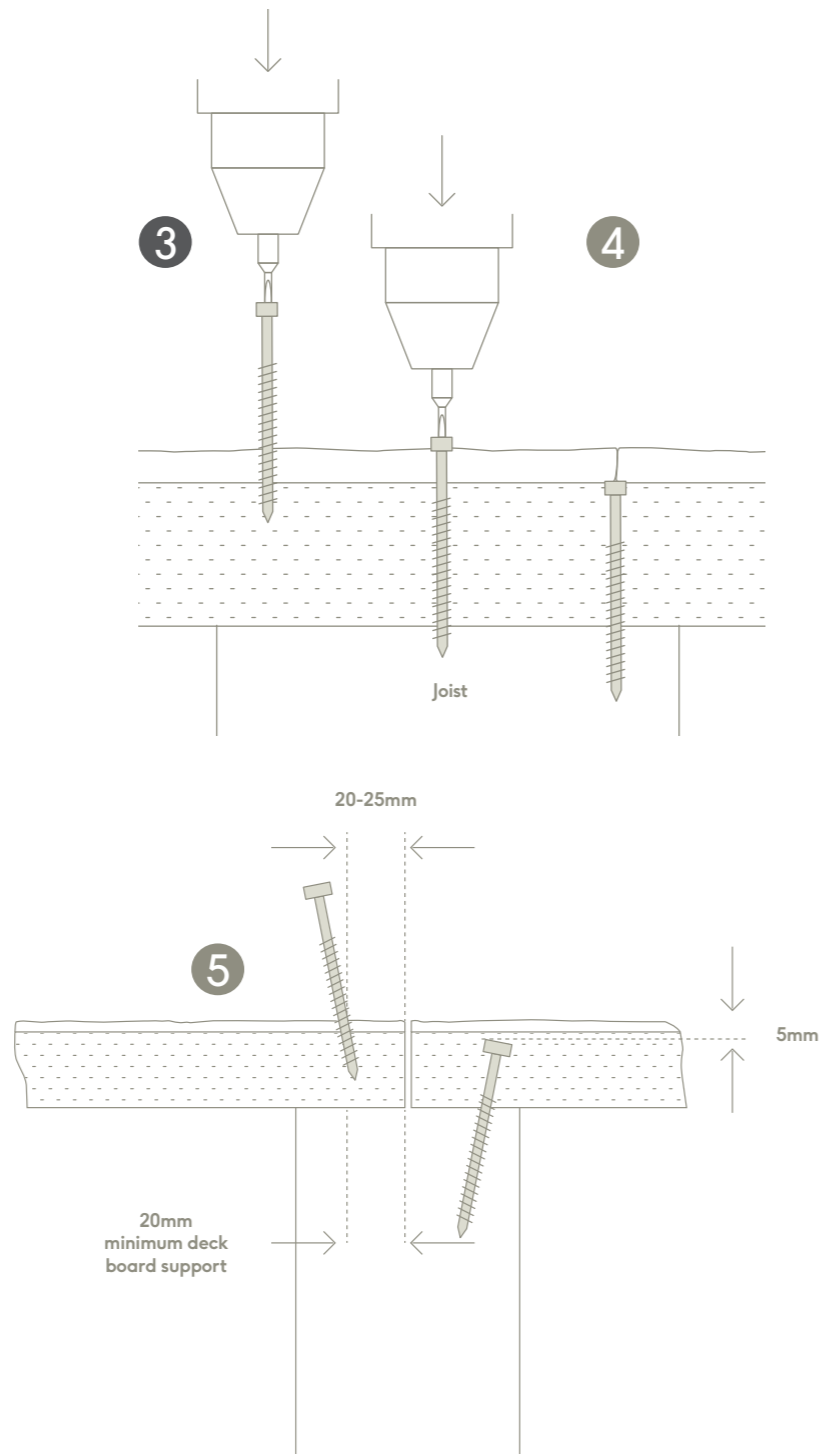


# Millboard Installation and User Guide

## Fastening to substructure

Millboard Durafix® stainless steel fixings mean that there's no need to pre-drill or countersink, just screw straight in. When fixing in, push down, start the driver slowly and speed up; then slow down when driving the head of the screw through the Lastane® ③. Stop the screw about 5mm below the surface ④. This should leave a small, virtually indistinguishable hole. Failure to use our Durafix® Fixings or not fitting according to these guidelines may invalidate the warranty.

Two fixings per board should be used where the board crosses a joist, we advise to use three at the ends of the boards on shorter lengths. The fixings at the ends of the boards should be fixed at a slight angle to prevent being too close to the end of the board ⑤, positioning the screws 20-25mm from the ends and 30mm from the sides of the boards. Board ends should be supported by a minimum of 20mm. As the boards are dimensionally stable, they can be fitted with only 4mm spacing and 2mm gap at the ends of the boards. Cuts must always be positioned over the joist. Boards may have a +/- 2% dimensional variance. Best practice is to fix the boards at one end, then a fixing in the middle adjusting spacing as necessary, then the far end. Then fix to the remaining joists. We recommend working to a string line.



## Cutting the Millboard

Millboard can be cut with standard saw blades, although we recommend a carbon-tipped, multi-purpose chop saw. As the formed end of the Millboard is lost when cut, these can be placed in less visual areas against a wall or edging profile. Use our Edgings (page 28) or Touch-up coating (page 35) where they are visible. Dispose of off-cuts as general waste, don't burn them. When cutting the Millboard, wear a dust mask, safety glasses, long sleeves and protective gloves. A dust bag must be used on chop saws. Make sure that the Millboard is adequately supported when cutting.

## Fascia boards, steps and edges

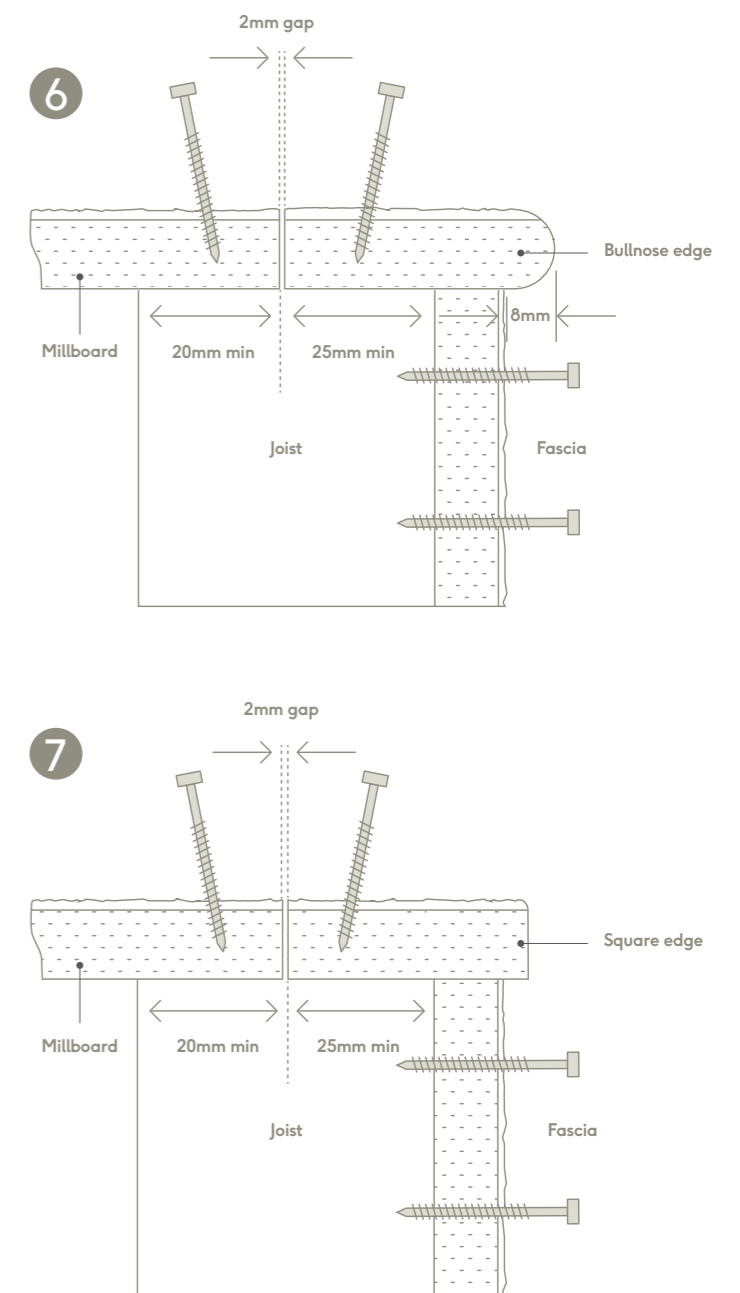
We recommend that our purpose-made edging be fitted to all steps and perimeters of the deck. It's coated with extra Lastane® for added resilience on these areas, helping prevent excessive wear. Edging is available in either a Bullnose ⑥ or Square profile ⑦. Ensure that the edging is supported on a joist by a minimum of 25mm. We recommend trimming the ends to butt tightly when fitting both edging and fascias. For the best visual effect, stagger the edging and fascia joints so that they're not in line – this creates a subtler look.

We also manufacture the Bullnose edging in a flexible material suitable for curved designs. Flexible Bullnose edgings can be curved to follow a maximum convex diameter of 2.4metres. These flexible profiles need to be at least room temperature (c.20°C), then bent gently. Standard fascia will bend up to 2.4m convex diameter. When fixing start from the end and work along, fixing at 300mm intervals as you go. This flexible material doesn't conceal the fixings as well, leaving some holes partially visible.



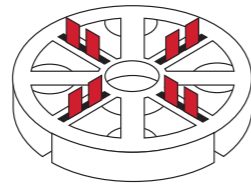
## Taking care

If the Millboard picks up marks during installation simply wash with hot, soapy water and a firm broom straightaway. To remove any cement and lime-based stains, we recommend using Geocel Brick & Mortar Cleaner. Test a small area first and follow the mixing instructions, leaving for five minutes before washing off with soapy water.

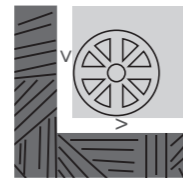


# Esterno® Installation

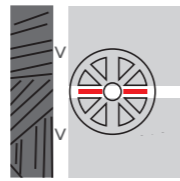
The dry installation system does not require the use of tile adhesives or grouts. The system is therefore easy to install and remove and does not require acid cleaning after installation. The substrate onto which the supports are to be installed, must be solid, water resistant or waterproof; equipped with four spacers to allow adequate joints between adjacent tiles. Use the Esterno V spacer against walls/borders to prevent lateral movement. Simply remove the plastic lugs from the top of the pedestal to create a flat support. We recommend to bond the outer two rows of tiles to the pedestals with a MS polymer adhesive.



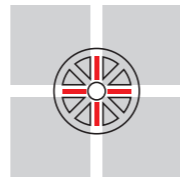
The lugs shown in red can be easily removed to form the desired support orientation.



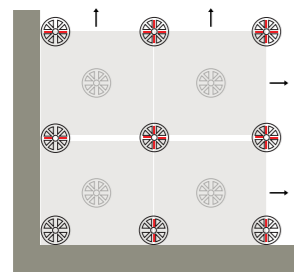
Wall corner



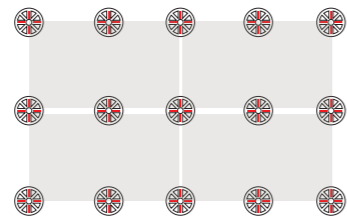
Wall border



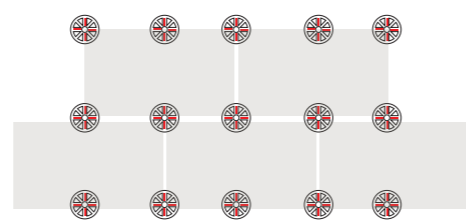
Centre



600 x 600mm



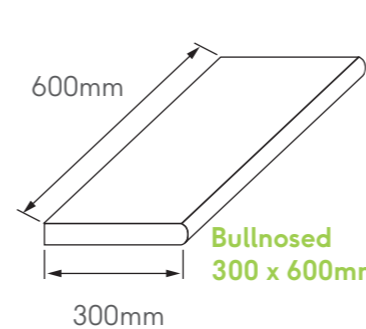
900 x 450mm



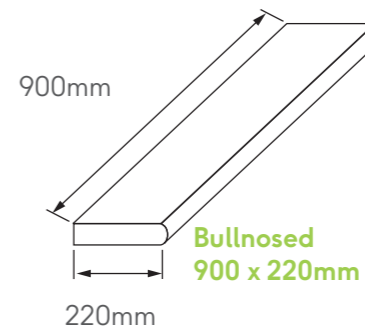
900 x 450mm

## Edging, steps and drainage

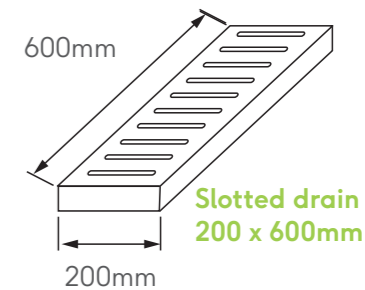
Edging, steps and drainage are made to order, so please allow 4-6 weeks delivery



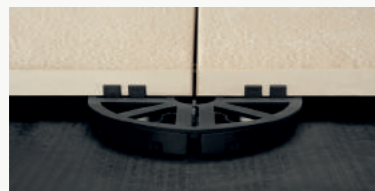
Bullnosed  
300 x 600mm



Bullnosed  
900 x 220mm

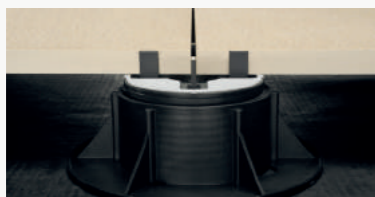
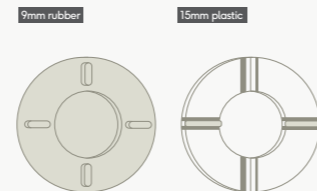


Slotted drain  
200 x 600mm



### Ring Supports

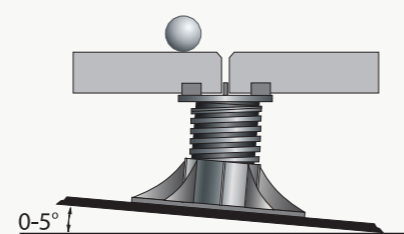
Esterno polypropylene supports are suitable for the installation of Esterno panels to varying heights. The 15mm plastic disc is stackable to allow for increased height and can also incorporate 3mm packer for finer adjustment.



### Adjustable Self-Levelling Pedestals

For structures requiring adjustable heights from 40 to 300mm.

The adjustable element on the head of the support can be easily reached from above allowing for the correct setting of the height when fixing, without removing the tiles.



# Frequently asked questions

## Where can I use Millboard?

Millboard is extremely versatile and can be used in practically every outdoor space. Create decks, balconies, roof gardens, boardwalks, bridges, pontoons, seating, steps, planters and more.

## Do I need to seal Millboard?

No, all Millboards are surface sealed in the factory to ensure they arrive in premium condition. In the first few weeks of use, rainwater will sit on the surface in globules, but don't worry – this is normal and will stop once the temporary surface seal breaks down.

## Does Millboard mark?

The Lastane® finish is highly resistant to scratches and food and drink stains, and everyday wear and tear. Sharp objects such as unprotected table or chair legs, spiked shoes or metal planter bases can leave marks if dragged across the surface, so take care when moving these items around. The risk of marking from strong dyes and stains such as berries and animal droppings will be reduced if removed as soon as possible.

## How do I clean Millboard?

Because Millboard is made of non-porous composite, it resists mossy build-up and stains, so needs very little maintenance. To remove spills and marks, simply use a mild detergent and a cloth. Just steer clear of solvents, chemicals and abrasive cleaners that could damage your Millboard – and there's normally no need for pressure washing.

## What if it snows or is icy?

A small amount of granulated white salt can be used to keep your Millboard ice-free. Please don't use rock salt, as this contains clay and grit and can be abrasive. When winter's over, clean the surface with soapy water and a soft broom.

## Does Millboard come with a Warranty?

For more information go to [www.millboard.co.uk/warranty](http://www.millboard.co.uk/warranty)

## Is Millboard anti-slip?

Yes, in BS79.76 slip resistance tests, all styles of Millboard achieve one of the highest anti-slip ratings, even in wet conditions.

## Are Millboard colours consistent?

As with all flooring, we advise buying all the Millboard you need at the same time to help ensure that the colour is as consistent as possible. If you don't order all your Millboard at once, you can blend different batches to create only subtle variation throughout your space.

## Can Millboard be cut just like wood?

Millboard can be cut with standard saw blades, although we recommend a carbon-tipped, multi-purposed chop saw. As the formed end of the board is lost when cut, these can be placed in less visual areas against a wall or edging profile. Matching Touch-up Coating for exposed ends is available to buy separately. See page 35.

## What fixings should be used to fix Millboard?

Following extensive trials, we recommend and supply Durafix® stainless steel screws, designed specifically for Millboard. There's no need to pre-drill or countersink Millboard and the unique Lastane® material self-heals, leaving a virtually indistinguishable mark on the surface. See pages 35 and 37.

## Can you recommend an installer?

A nationwide network of APPROVED Installers are available at [www.millboard.co.uk](http://www.millboard.co.uk). Chosen for their professionalism and high quality, you should always follow normal precautions before entering into a contract with a third party, especially if a deposit payment is required.

## Something else?

For any other technical, installation or care questions, go to [www.millboard.co.uk](http://www.millboard.co.uk), call our technical team on 024 7643 9943, or email us at [enquiries@millboard.co.uk](mailto:enquiries@millboard.co.uk)

## Order Millboard samples

There's nothing like seeing Millboard for yourself. Simply go to [www.millboard.co.uk](http://www.millboard.co.uk) to find your nearest merchant or display centre.



# After Care

Now that your Millboard is installed, make sure it stays in premium condition with our handy tips on aftercare.

## Factory sealed

Millboards are surface sealed in the factory to ensure they arrive in premium condition. In the first few weeks of use, rainwater will sit on the surface in globules, but don't worry – this is normal and will stop once the temporary surface seal breaks down.

## Marking

The Lastane® finish is highly resistant to scratches and food and drink stains, and everyday wear and tear. Sharp objects such as unprotected table or chair legs, spiked shoes or metal planter bases can leave marks if dragged across the surface, so take care when moving these items around. The risk of marking from strong dyes and stains such as berries and animal droppings will be reduced if removed as soon as possible.

## Winter ice and snow

A small amount of granulated white salt can be used to keep your Millboard ice-free. Please don't use rock salt, as this contains clay and grit and can be abrasive. When winter's over, clean the surface with soapy water and a soft broom.

## Cleaning

Because Millboard is made of non-porous composite, it resists mossy build-up and stains, so needs very little maintenance. To remove spills and marks, simply use a mild detergent and a cloth. Just steer clear of solvents, chemicals and abrasive cleaners that could damage your Millboard – and there's normally no need for pressure washing.



# It's simple to enjoy Millboard



## How to order

1

### Get inspired

Check out our brochure and website for style ideas and the complete Millboard collection.

2

### Choose your Millboard

Order your free samples to help you choose the colour and finish for your project, or visit a display centre or merchant.

3

### Remember the finishing touches

Take a look at our matching fascias and edging, essential fixings and more.

4

### Contact a professional

Arrange an independent fitter or ask us for a recommendation. Visit our website, [www.millboard.co.uk](http://www.millboard.co.uk) for more details.

5

### Or buy and fit it yourself

You can also order Millboard from an authorised merchant and install it yourself.

Live.  
Life.  
Outside.™

The Millboard Company Ltd  
UK Head Office  
Castle Court  
Bodmin Road  
Coventry CV2 5DB

T 44 (0)24 7643 9943  
F 44 (0)24 7661 1668  
E [enquiries@millboard.co.uk](mailto:enquiries@millboard.co.uk)  
W [millboard.co.uk](http://millboard.co.uk)

Company registered No. 06061318  
VAT No: 980 616602