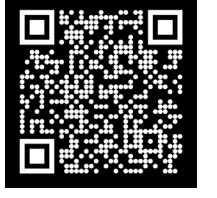
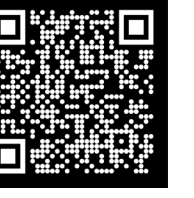


Quick start guide 快速入门指南

- Models 型号**
EconoBoil (AU, NZ, UK) 3L, 5L, 7.5L
AutoBoil 3L, 5L, 7.5L, 15L, 25L, 40L
HydroBoil 3L, 5L, 7.5L, 10L, 15L, 25L, 40L
HydroBoil Plus 3L, 5L, 7.5L
Tempo Tronic 3L, 5L, 7.5L, 15L, 25L, 40L
Tempo Tronic with Timer 3L, 5L

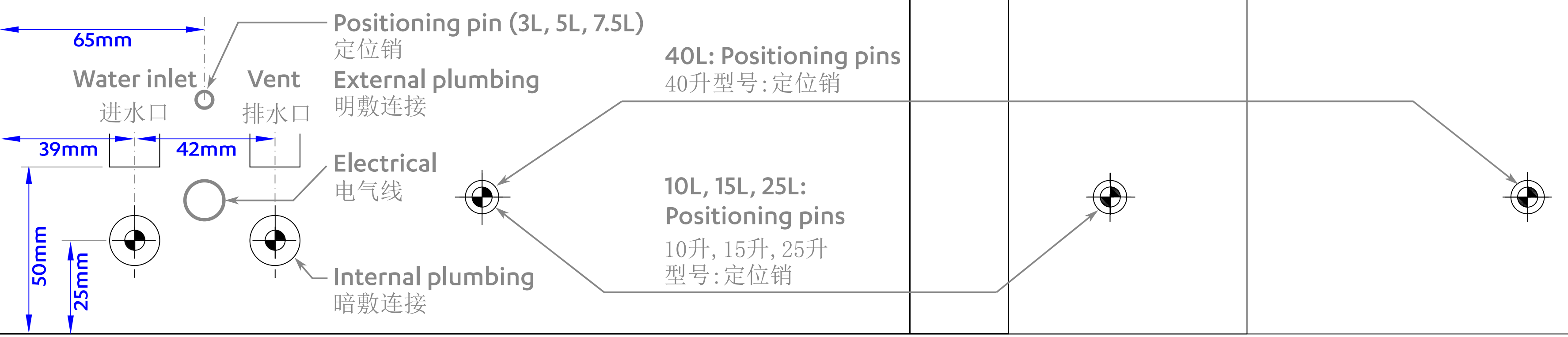
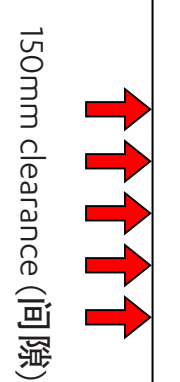
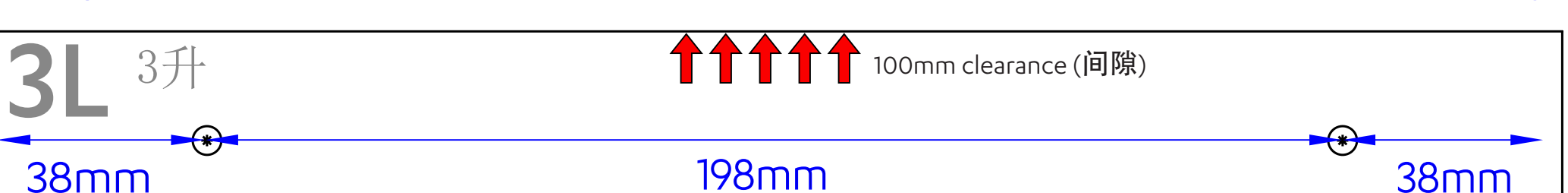
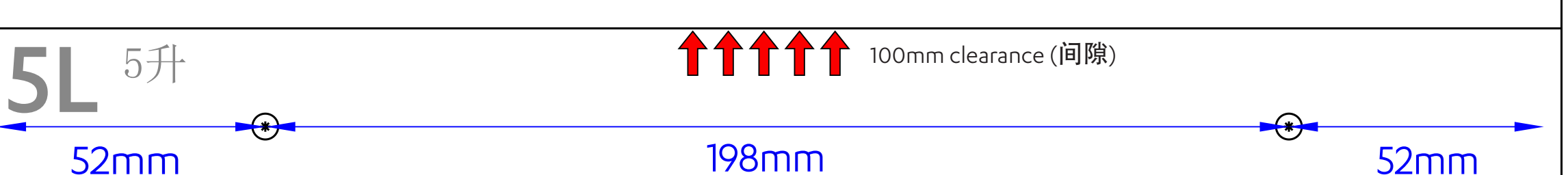
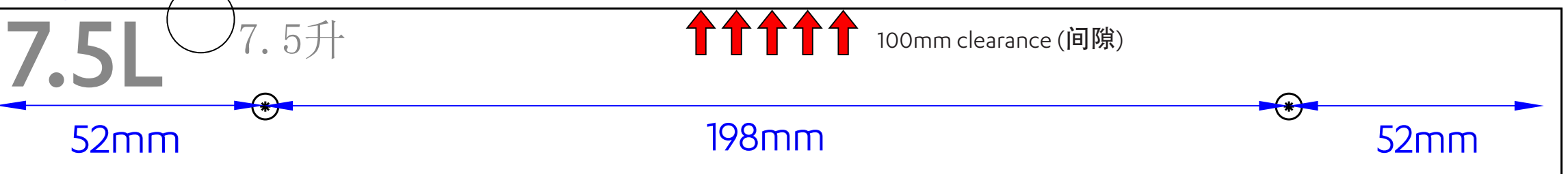
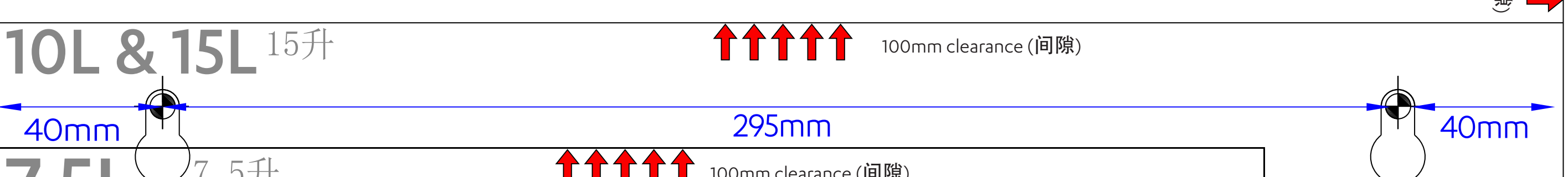
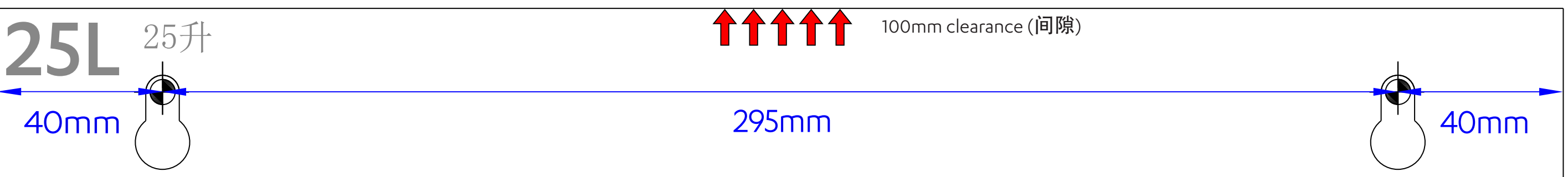
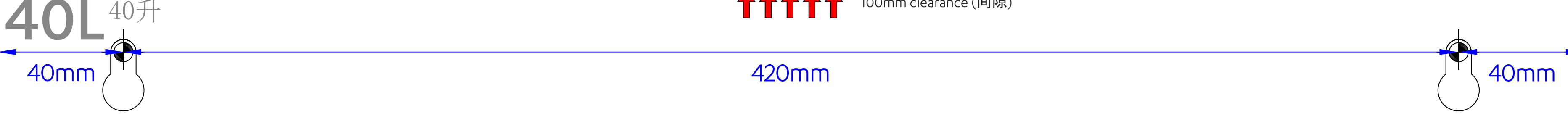


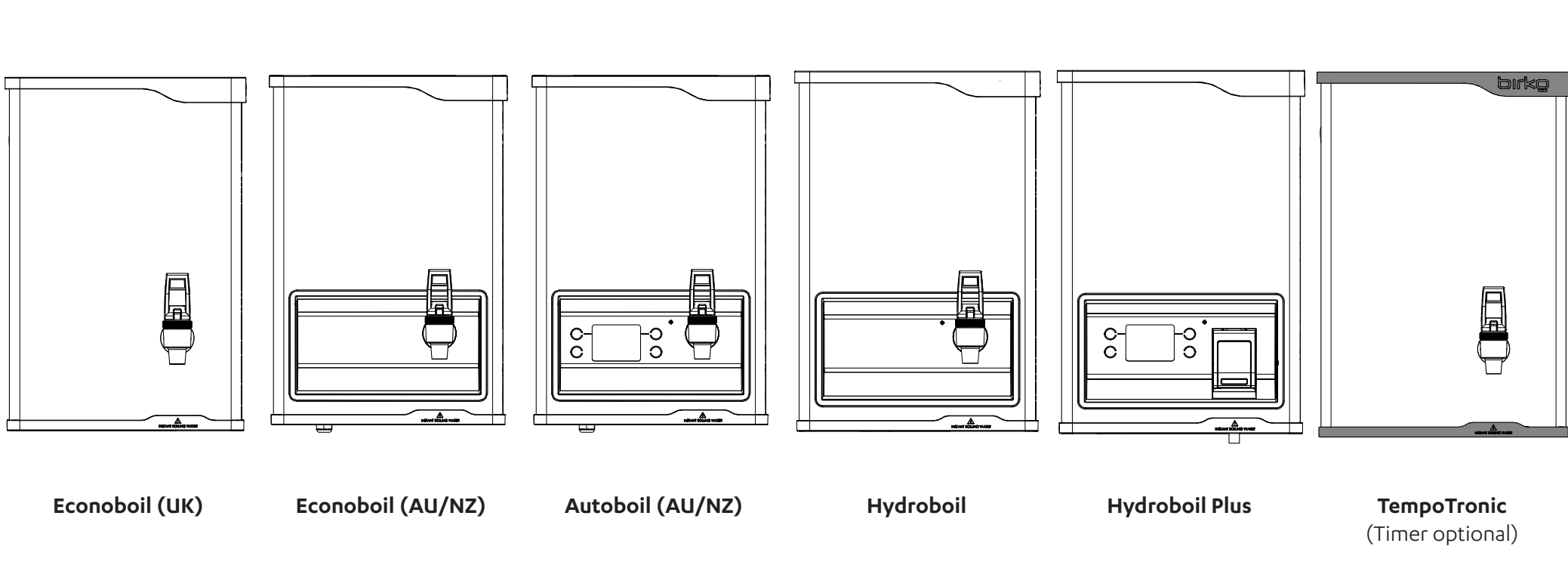
Zip Water



Zenith Water

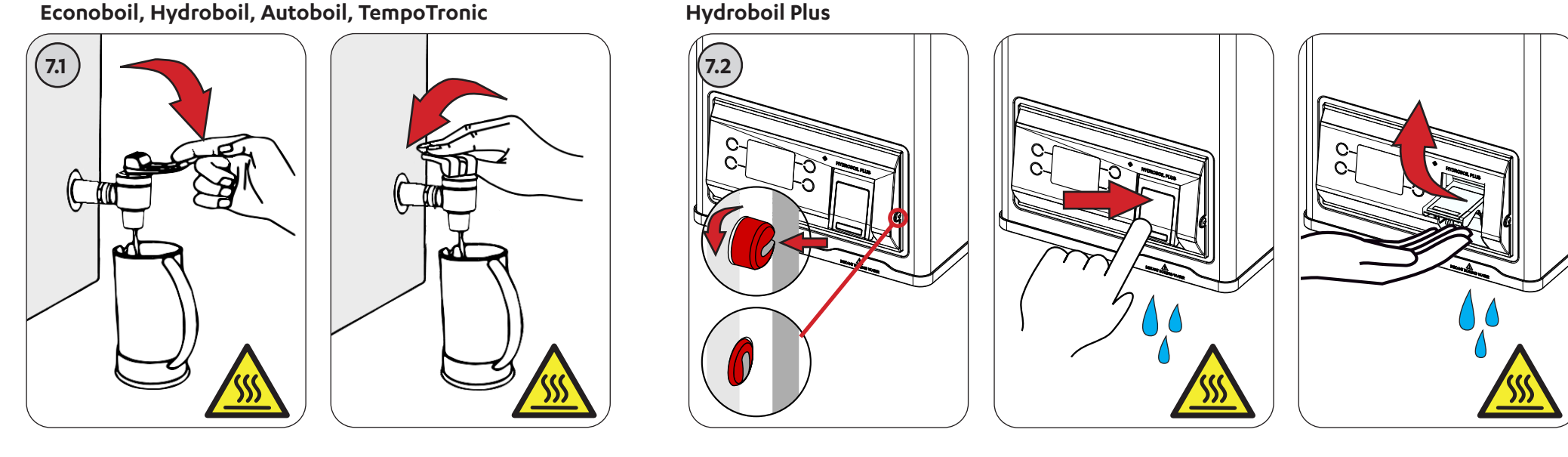
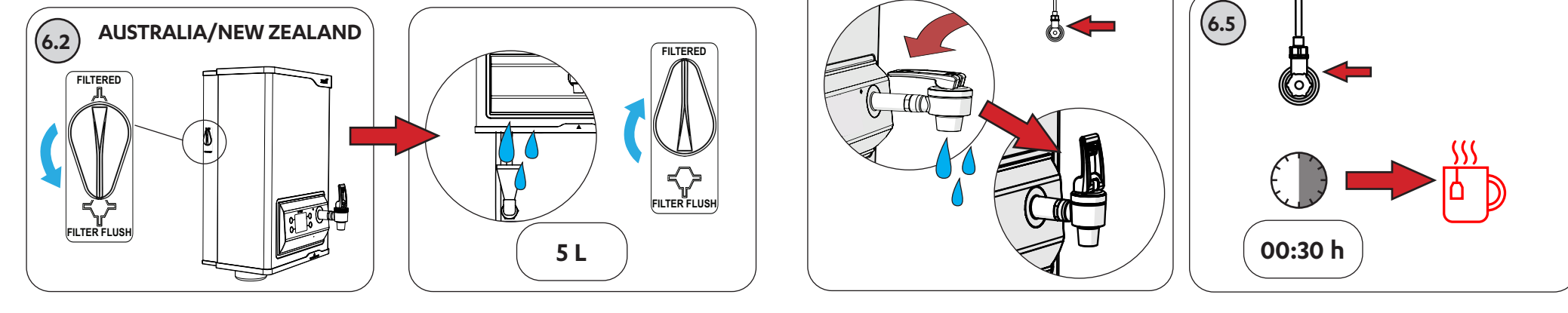
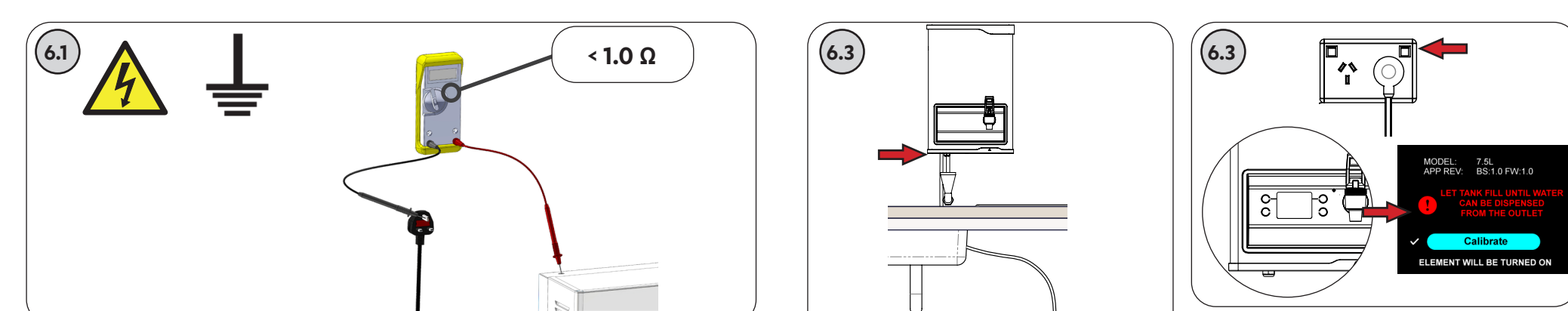
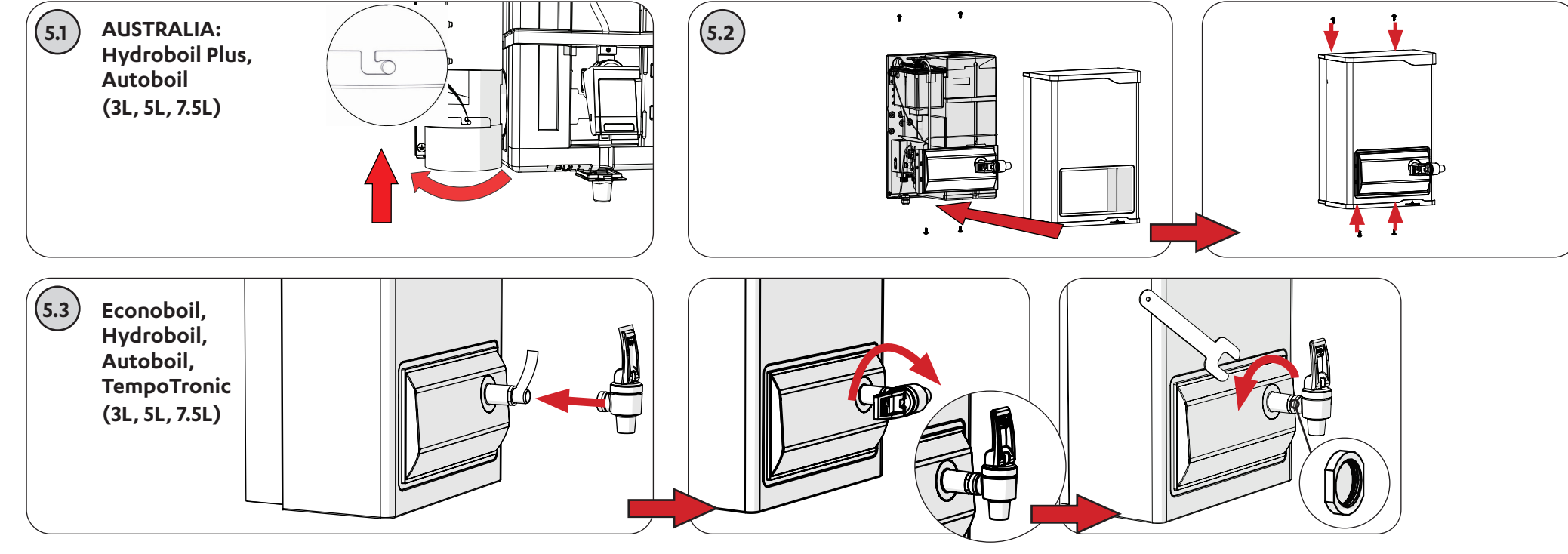
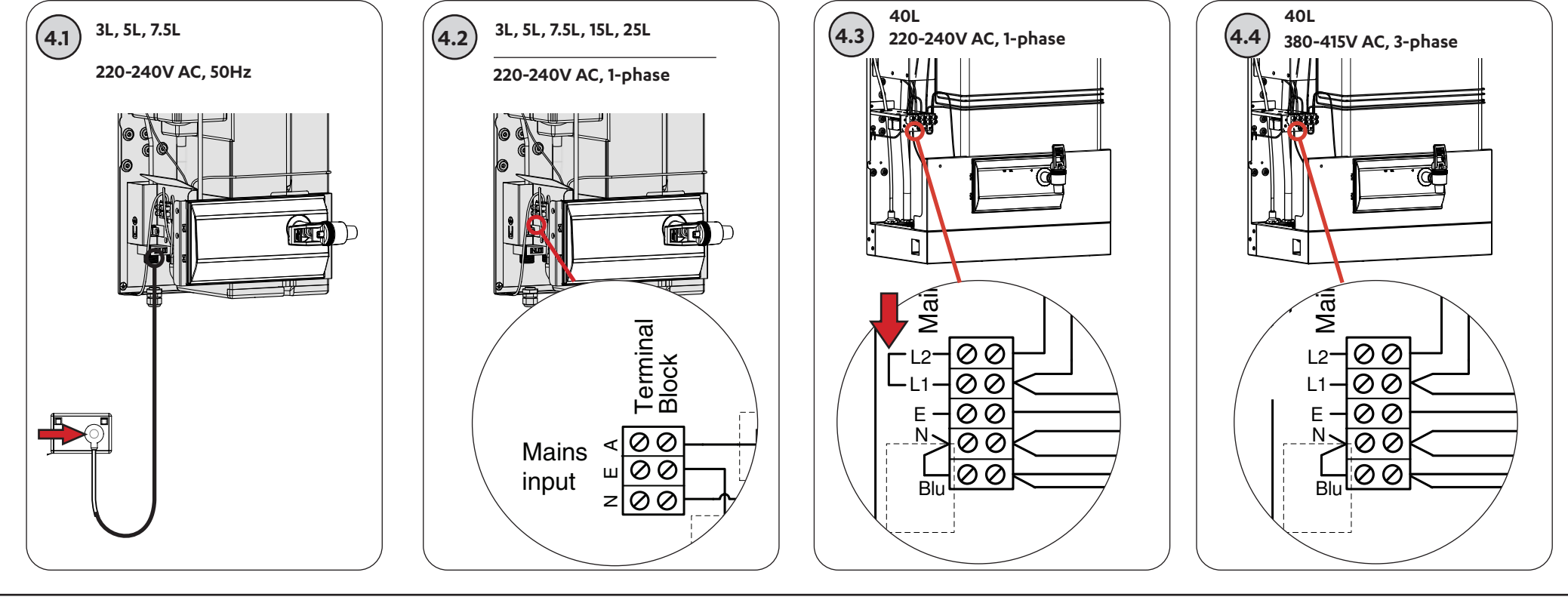
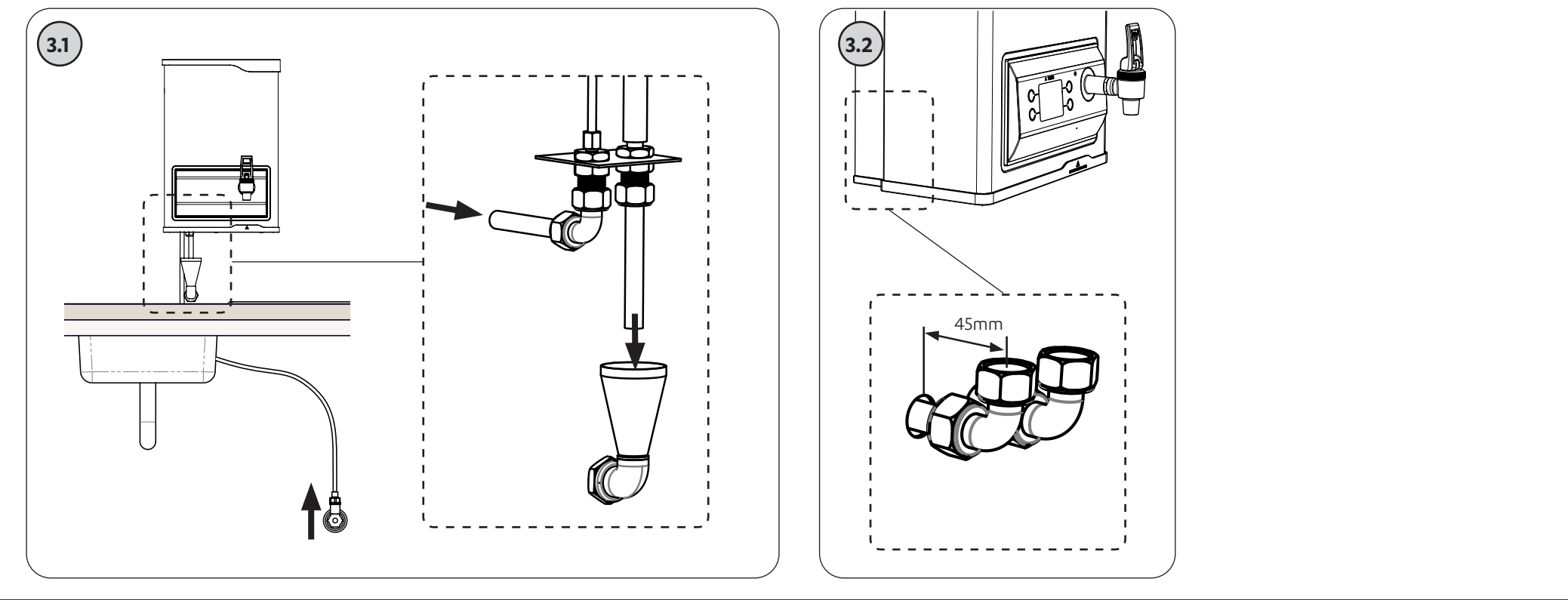
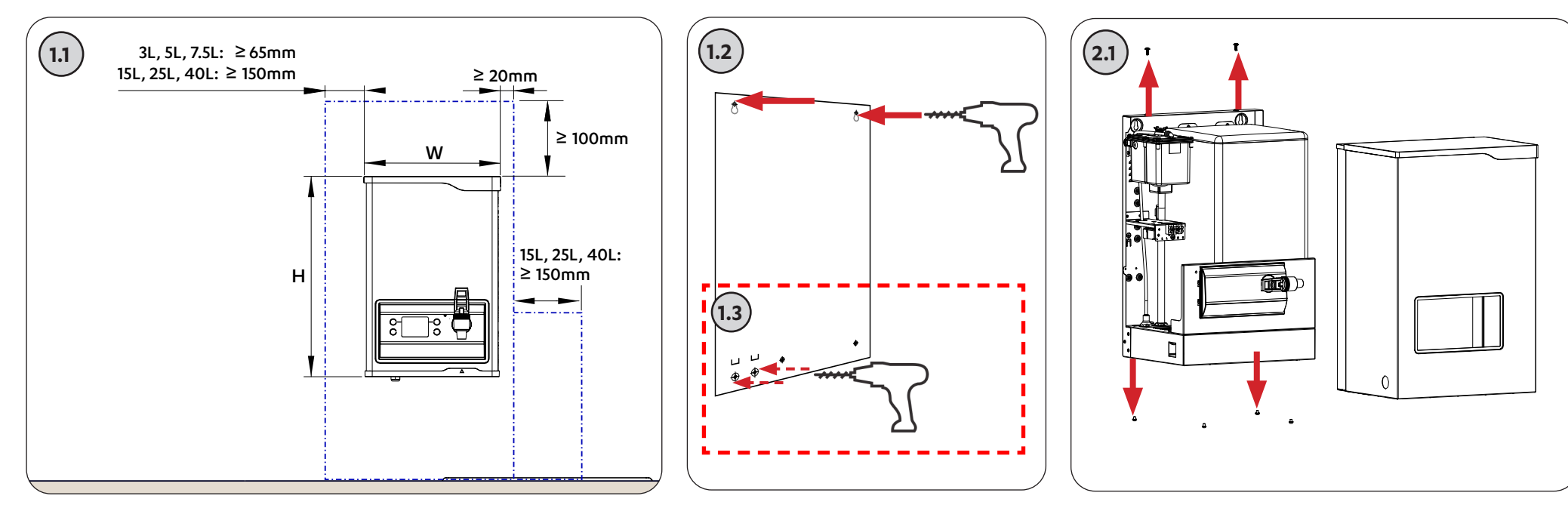
Visit our website to download the manuals





Model	L	W x D x H (mm)	KG
3L, 5L, 7.5L, 10L, 15L, 25L, 40L			
3.0	220-240V, 50Hz, 1400W 220V, 60Hz, 1250W	300 x 183 x 439	12
5.0	220-240V, 50Hz, 2200W 220V, 60Hz, 2000W	329 x 201 x 473	15
7.5	220-240V, 50Hz, 2200W 220V, 60Hz, 2000W	329 x 201 x 586	20
10.0	220-240V, 50Hz, 2800W 220V, 60Hz, 2500W	401 x 249 x 606	27
15.0	220-240V, 50Hz, 2800W 220V, 60Hz, 2500W	401 x 301 x 606	33
25.0	220-240V, 50Hz, 2800W 220V, 60Hz, 2500W	401 x 301 x 786	47
40.0	220-240V, 50Hz, 5400W 220V, 60Hz, 4800W 380-415V, 2N, 50Hz, 5600W 380V, 2N, 60Hz, 5000W	526 x 286 x 847	70

UK: 70 kPa (0.7 bar) - 500 kPa (5.0 bar)
AU/NZ: 150 kPa (1.5 bar) - 700 kPa (7.0 bar)



Installation instructions

Before installation, ensure that:

- The mounting wall can support the product weight when full of water. As shown in table to the left.
- Sufficient space is provided to install the appliance, cable and plumbing.
- An easily accessible socket and double pole isolation switch (correctly rated for the appliance) is required. For models rated below 3kW: 220-240V AC 50-60Hz; for models rated above 3kW: 380-415V AC mains power.
- The appliance must be connected to a potable water supply with working pressure of: AU/NZ: 150 - 700 kPa (1.5 - 7.0 bar); UK: 70 - 500 kPa (0.7 - 5.0 bar).
- The appliance must be connected with an isolating valve within reach of the hose and positioned so that the valve will not be obstructed.
- A 350 kPa (3.5 bar) pressure limiting valve (not supplied) must be fitted if the incoming mains water pressure is likely to exceed 500 kPa (5.0 bar).
- The appliance must be placed upright with its base in a horizontal position.

IMPORTANT! Do not proceed with the installation if these requirements are not met.

- Positioning**
 - Place the paper template (on the back of these instructions) on the wall. Mark corners of the appliance on the wall. Allow clearances as follows:
 - 3.5L, 5L, 7.5L: 65mm left side, 20mm right side, 100mm above
 - 15L, 25L, 40L: 150mm left and right side, 100mm above
 - Drill holes as shown on the paper template.
 - OPTION: Drill holes for concealed plumbing and electrical connections.
- Fastening**
 - Remove screws from case (4-off for 3L, 5L, 7.5L; 6-off for 10L, 15L, 25L, 40L). Remove the case. Use wall screws (note: only supplied in UK) to mount the appliance to the wall.
- Plumbing**

IMPORTANT:

 - Cold water pipes must be flushed before connection to the inlet to prevent blockages from affecting operation of the appliance.
 - An isolation valve (not supplied) must be fitted to the water supply.
 - All Vent pipework:
 - must be installed with continuous fall.
 - must be no more than 3 metres in length.
 - must have no more than 3 right-angle bends.
- Plumbing option 1: Exposed**
Connect cold water inlet pipe from the base of the appliance directly to the 12.77mm (1/2" BSP) compression fittings using nuts and olives.

IMPORTANT SAFETY INSTRUCTIONS

Safety

This appliance can be used by children aged from 8 years and above and persons with reduced physical, sensory or mental capabilities or lack of experience and knowledge if they have been given supervision or instruction concerning use of the appliance in a safe way and understand the hazards involved. Children should be supervised to ensure that they do not play with the appliance. Cleaning and user maintenance shall not be made by children without supervision.

Qualifications
If the power cable is damaged it must be replaced by a qualified technician. To avoid hazards, all installation procedures must be carried out by a suitably qualified tradesperson.

Venting
Occasionally steam and / or boiling water may discharge through a vent outlet or the tap. Ensure the tap body is located so the tap outlet safely dispenses into the drip tray or sink bowl area, and the vent is plumbed to a safe location.

Lifting
Take care when lifting. The appliance may exceed safe lifting limits. If you feel this is beyond your personal capabilities, please seek assistance with the lift. Do not lift the appliance by the tap or any of its connections. Refer to the Technical specification for the weight of the product.

Positioning
Ensure the appliance is positioned in an accessible area. The appliance must be installed upright, with its base in a horizontal position.

Frost protection
If the appliance is located where ambient air temperature could fall below 5°C when the appliance is not in use, do not turn it off electrically. This safeguard does not offer the same protection to the connecting pipework and fittings.

安装指南及用户手册

安装前确保满足以下条件

- 查看全部技术规范。
- 确保安装位置能够支撑充满水时的产品重量。
- 根据这些安装指南，安装 Hydroboil 和其他部件应有足够的空间。
- 对于额定功率低于 3 千瓦的 Zip Hydroboil 型号，需要提供供用户连接的 220-240V 交流电源插座或双极断路器（额定值适合本设备）。对于额定功率超过 3 千瓦的型号，应连接独立 380V-415V 交流电源，并用易于操作的双极隔离开关控制。
- 须连接到水压为 0.07 兆帕 (0.7 巴) 到 0.7 兆帕 (7.0 巴) 的饮用水供水管上。
- 须和带有隔离阀的供水接口连接。连接口须在设备软管可及的范围，并确保安装后隔离阀的操作不被阻碍。
- 可排及/出水口通至沥水盘、滴水盘或洗碗盆区域。
- 如果进水的压力可能超过 0.5 兆帕 (5.0 巴)，则必须安装 0.35 兆帕 (3.5 巴) 限压阀。
- 本设备须垂直安装，底座须在水平位置。

重要说明! 如果不满足这些要求，切勿继续安装。

- 确定位置**
 - 在墙壁上标记 Hydroboil 各角的位置，以确定安装孔板的位置。
 - 在墙上确定安装孔板的位置，并在所示之处钻孔
 - 1.2 钻孔水管连接须钻出进水和排水口。
- 固定**
 - 取下盖子的螺钉，并打开盖子。
 - 用适合的螺丝或螺栓（包装中附带）将 Hydroboil 壳体拧紧在墙壁上。
- 连接**
与进水管连接之前，必须冲洗水管道。沉积物或细粒造成的任何堵塞都会对 Hydroboil 的操作产生不利影响。Hydroboil 必须安装隔离阀，使其与主供水管隔离，以便维修。不管是暗装或明装的排放管道，将 Hydroboil 底部引出的排放口与 Ø15 毫米垂直管道连接，长度不超过 3 米，不超过 3° 角度直角弯，排放至废水渠（排放出口必须是可见的）。
- 对于明装管道连接**
使用包装中提供的螺母将 Hydroboil 底部引出的冷水入口管与 1/2" BSP 压编配件直接连接。

重要安全说明

安全

本设备适合 8 岁以上的儿童以及身体、感官、智力有限人士使用，前提是，他们须经过监督或安全说明培训，并了解所涉及的危害。儿童应加以监督以确保他们不玩弄本产品。清洁和维护不得由儿童在无人监督下进行。

资质
电源线如损坏，须由有资质的技术人员修理。为避免风险，所有安装程序须由有适当资质的技术人员完成。

排放
偶尔，蒸汽或沸水滴会从排放口或水龙头流出。须确保水龙头位置能使滴水安全排放到滴盘或水槽内，以及排放口导向安全位置。

抬起
抬起时要小心。本设备可能超过安全抬起极限。如果您觉得重量超出了极限，请找人协助。抬起设备时，勿施力于水龙头、铭牌或任何接头。如需了解本产品的重量，请参阅技术规格。

定位
本设备须安装于无障碍区域。设备须直立安装，并且底座处于水平位置。

防冻保护
设备在没使用的情况下，所在室温如低于 5°C，请勿关掉电源。此防护不能延伸到连接管或连接组件上。

- Check earthing with a resistance meter between power plug and cover fixing screw, then the tap. Electrical resistance must not exceed 1 Ohm.
- AU models: Filter flush
Rotate valve to FILTER FLUSH
Turn ON mains water. Allow 5 litres of flow from vent outlet, to flush the filter. Note: water should NOT flow into the tank.
Rotate valve to FILTERED. Water flows into the tank.
- Open the tap. Turn ON mains water to partly fill the tank. Turn OFF mains water when tap dispenses water.
Check connections and repair any leaks.
- Turn ON electrical power. For models with a user interface screen, refer to the screen and touch the buttons to proceed with calibration. The water in the tank will be heated. When calibration is completed, you will be prompted to turn ON mains water.
- Turn ON mains water. Allow 15-30 minutes for the water to reach boiling set temperature.

Operation

- (Tap models) Press lever to dispense boiling water. Push lever to lock, for continuous flow. If lever does not lock, rotate it 180° before dispensing.
- (Paddle models) Ensure lock button is depressed. Press paddle to dispense boiling water. Pull paddle to lock, for continuous flow.

Manufactured by:
Zip Water (Aust) Pty Ltd ABN 46 000 578 727
67-77 Allingham Street, Condel Park NSW 2209
Postal: Locked Bag 80, Bankstown 1885
In Australia: 1800 ZIP TAP (1800 947 827)
(+612) 9796 3100 | zipwater.com.au

Distributors:
Zenith Water NZ
1800/CS T No. 95 640 729
18 Kawakawa Place,
Westgate, Auckland NZ 0814
In NZ: 0900 558 055
+649 838 8612 | zenithwater.co.nz

Zip Water UK
Trafalgar House, Rath's Green,
Dereham, Norfolk NR9 1JG
sales@zipwater.co.uk
0345 6 005 005 | zipwater.co.uk

Culligan Middle East FZE
National Industries Park
P.O. Box 262151, Dubai, U.A.E.
+971 (0) 4 803 0100
Fax: +971 (0) 4 880 6055
info.cdw@culligan.ae | www.culligan.ae

Frankie Manufacturing and Distribution SA (Pty) Ltd
1194 South Coast Road,
Mobeni, Durban 4092
P.O. Box 72395, Mobeni, Durban 4060
South Africa
+27 31 450 6300 | Fax: +27 31 450 6303
zip.co.za/enquiry/faq/franke.com

Culligan China Water Treatment Equipment Trading (Shanghai) Co., Ltd.
29 Floor, Cura International Center,
No. 500 Hongqiao Road, Xuhui District,
Shanghai, China, 200000
+8621 6447 9373 | Fax: +8621 6447 9355
www.zipwater.com.cn

WARNINGS AND PRECAUTIONS

- For continued safety of this appliance it must be installed, operated and maintained in accordance with the manufacturer's instructions.
- This appliance may deliver water at high temperature. Refer to the Plumbing Code of Australia (PCA), local requirements and installation instructions to determine if additional delivery temperature controls are required.
- All plumbing and electrical connections must be made in accordance with local regulations and relevant standards. For Australia/NZ: electrical installation must comply with AS/NZS 3000. For Australia/NZ: plumbing installation must comply with Plumbing standard AS/NZS 3500. UK: the system must be installed in accordance with water supply byelaws, current IEE regulations and local authority byelaws.
- All installation and service work must be completed by trained and suitably qualified tradespeople. Faulty operation due to unqualified persons working on the product may void warranty coverage.
- This appliance must be earthed. The resistance of the earth connection from each exposed metal part must be less than 1 ohm.
- The power cord and general power outlet must be in a safe and accessible position after installation.
- Any disconnection to the fixing wiring must be in accordance with local regulations and relevant standards including AS/NZS 3000.
- Do not remove the cover of the appliance under any circumstances without first isolating the appliance from the power supply.
- The cold water supply to this appliance must be potable and fall within your local authority guidelines.
- The installer is responsible to supply and install all valves as required by local regulations and relevant standards.
- In hard water areas where mineral scale accumulation may become a problem, consideration should be given to the maintenance required. A suitable form of water treatment may be necessary.
- This appliance is designed for indoor use and must not be installed outdoors or exposed to the elements of nature.
- This appliance must operate within ambient temperatures of 5°C - 50°C.
- Do not clean this appliance with a water jet. Do not position this appliance in an area that may be cleaned by a water jet.
- This appliance is not intended for use by young children or infirm people without supervision. Young children should be prevented from having access to ensure that they are not able to use or play with the appliance.
- This appliance is intended to be used in: staff kitchen areas in shops, offices and other working environments; farm houses and by clients in hotels, motels and other residential type environments; bed and breakfast type environments; catering and similar non-retail applications.
- Due to the process of continuous improvement, the manufacturer reserves the right to change details mentioned in this manual, without notice. Visit the website of the manufacturer/distributor to ensure you have the latest copy of this document.

调试

警告: 此设备必须接地。
警告: 水可能沸腾。
警告: 只有水能够在水龙头流出之后才打开电源。

- 在进行安装或维修服务时，必须由有资质的技术人员使用全偏转精度至少为 5% 的电阻计检测 Hydroboil 的接地连续性。
- 断开电源。
- 确认仪表欧姆范围，连接引线，读数应为 0 欧姆。
- 将一条测试引线连接到电源线接地的接地端。
- 将另一条测试引线连接到盖的固定螺钉上，然后水龙头。
- 验证在每一种情况下，电阻都不超过 1 欧姆。
- 冲洗过滤器。（仅限澳大利亚型号）
- 打开水龙头。打开供水阀以让水稍许填满。当有水从水龙头流出时，关闭供水阀。
- 检查水管连接，修补任何滴漏。
- 打开电源。对于那些有用户界面的型号，参照屏并启用触摸屏校准程序。水箱里的水将会被加热。当校准程序完毕，您将会被指示打开供水阀。
- 打开供水阀。
- 稍等 15-30 分钟让水达到所述的沸腾温度。

水龙头操作

- 如需即热式沸水，轻轻向前拉水龙头的顶部。沸水将流出，直至放开水龙头的把手。如需持续性沸流水，压下把手直到锁定在打开位置。如果把手未能锁定，请将其旋转 180° 再试。
- (按钮式把手型号) 按下安全钮，然后同时按下把手以排出沸水。或者抬起把手以连续排放沸水。

制造商:
Zip Water (澳大利亚) 有限公司制造
ABN 46 000 578 727
67-77 Allingham Street, Condel Park NSW 2209
(+612) 9796 3100 | zipwater.com.au

分销商:
Culligan China Water Treatment Equipment Trading (Shanghai) Co., Ltd. CN
29 Floor, Cura International Center, No. 500
Hongqiao Road, Xuhui District, Shanghai, China, 200000
Ph: +8621 6447 9373 | Fax: +8621 6447 9355
www.zipwater.com.cn

警告和注意事项

- 为了确保本设备的持续安全，其安装，操作和维护须按照制造商的说明进行。
- 本设备可能会排放高温水。请参阅澳洲法规 (PCA)，或相关本地要求，以及安装说明，以确定是否需要附加额外的输送温度控制。
- 所有水管和电气连接必须符合当地法规和相关标准。对于澳大利亚/新西兰，电气安装必须符合 AS/NZS 3000，水管安装必须符合标准 AS/NZS 3500。对于英国，系统安装必须符合供水条例，当前的 IEE 法规和其他当地法规。
- 所有安装和维修须由经过培训的资质人员完成。无资质人员对本产品或其他任何 Zip 产品的错误操作可能会导致保修失效。
- 本设备必须接地。每个暴露金属部件的接地电阻必须小于 1Ω。
- 电源线和插座在安装后须在一个安全、可及的位置。
- 任何固定电源线的切断须符合当地法规和相关标准，包括 AS/NZS 3000。
- 在断开电源的情况下，切勿取下设备的盖子。
- 提供给设备的冷水必须是饮用水，并且必须符合当地政府的规定。
- 安人员须按当地法规和相关标准提供和安装所有阀门。
- 在硬水区，矿物质的积聚可能成问题，应考虑所需的维护。适当形式的水质处理可能必要。
- 本设备是为室内使用而设计，切勿将其安装在室外或暴露于自然环境中。
- 本设备必须在 5°C-50°C 的环境下操作。
- 请勿使用喷水器清洁本设备。请勿将本设备放置在可能被水清理的区域。
- 禁止在设有监督的情况下让年幼的孩子或体弱的人操作本设备。应确保幼儿无法接触本设备，以确保他们无法使用或玩弄本设备。
- 本设备旨在用于：员工厨房（商店、办公室）、农舍、客房（酒店、汽车旅馆、住宅类环境）、床和早餐旅馆、餐饮和类似的非零售环境。
- 由于产品的持续改进，制造商保留更改手册不另行通知的权利。请访问制造商/分销商的网站，以确保您拥有此文档的最新副本。