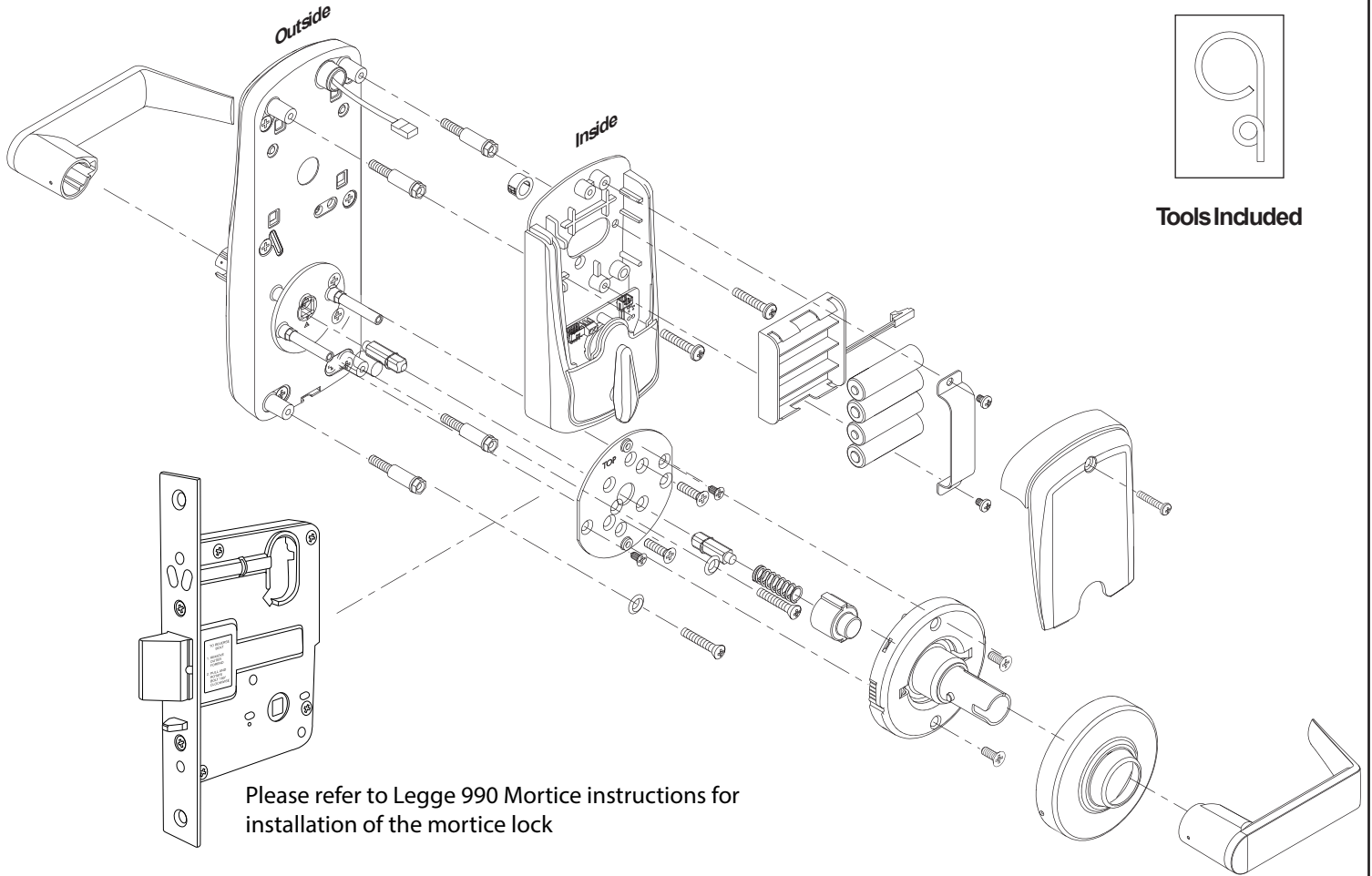


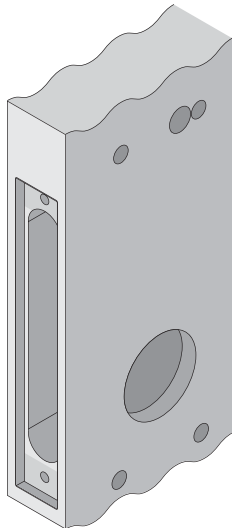


CO-Series with Mortice Installation Instructions

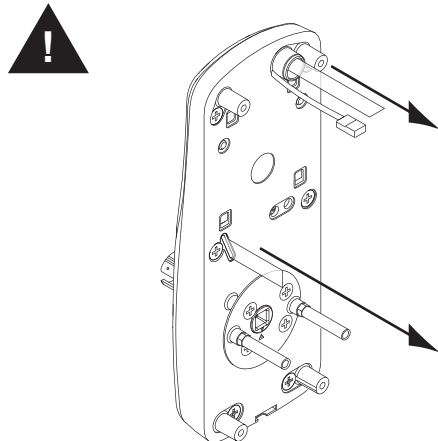
Right Hand Shown, Left Hand Opposite



1 Prepare Door
See template.



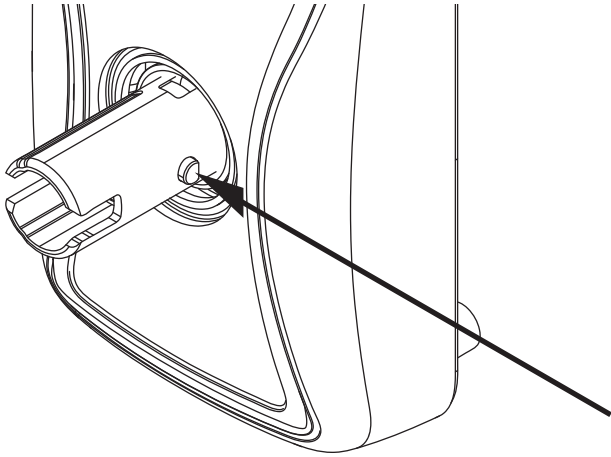
2 If Insulator Strip is Present, Carefully Remove it



3

Check Lever Handing

See "Rehanding" on back page if pin is not towards latch

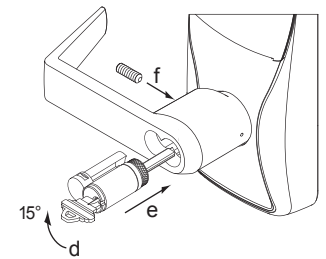
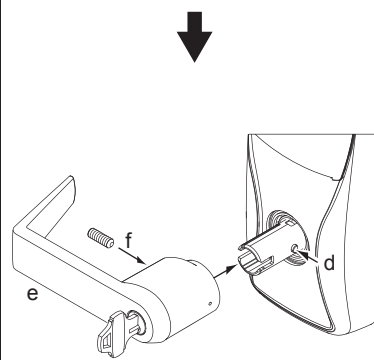
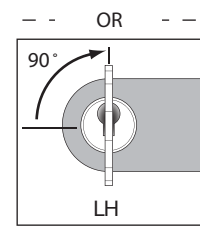
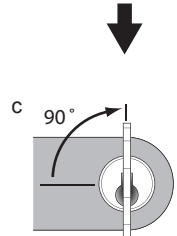
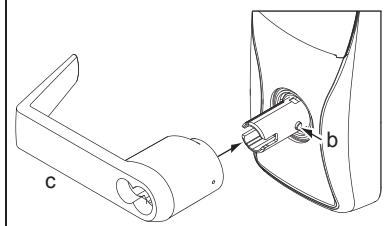
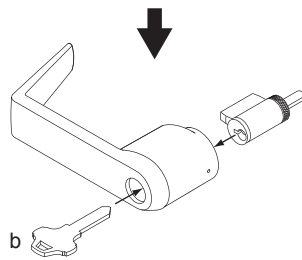
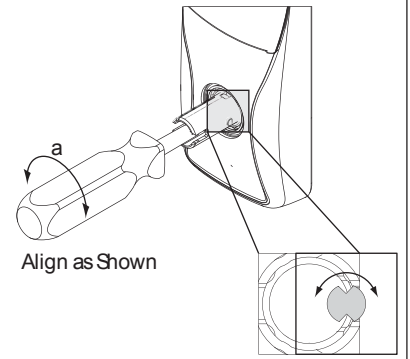
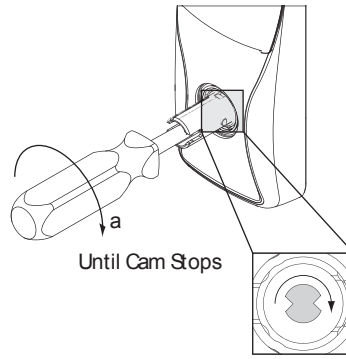


4

Install Cylinder and Lever



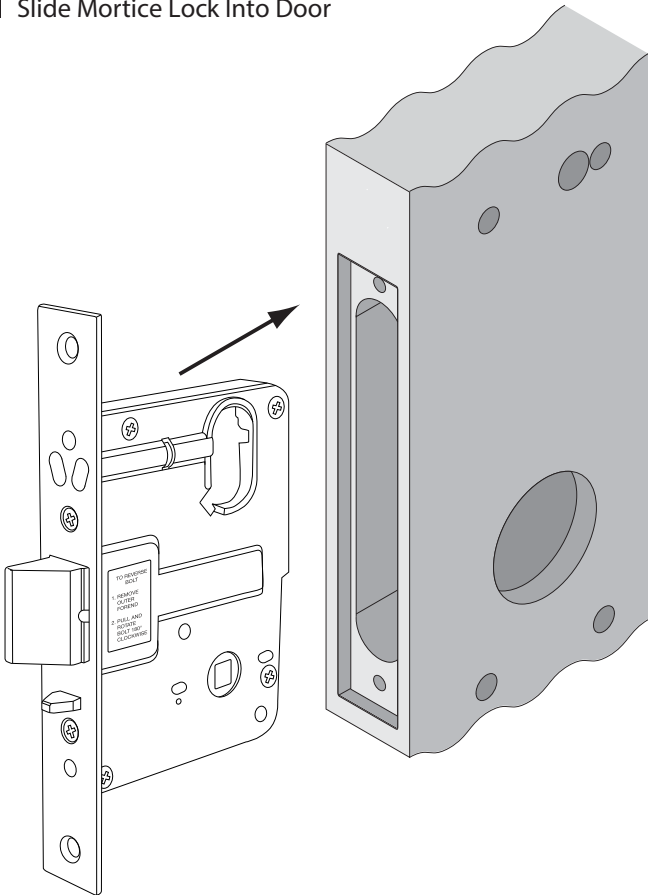
OR



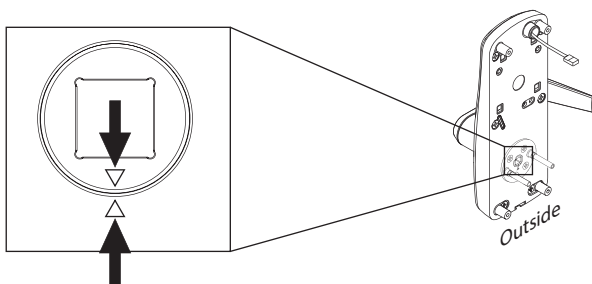
5 Prepare Legge 990 Mortice Lock for installation.

Please refer to Legge 990 Mortice Lock installation guide for more details (in lock box).

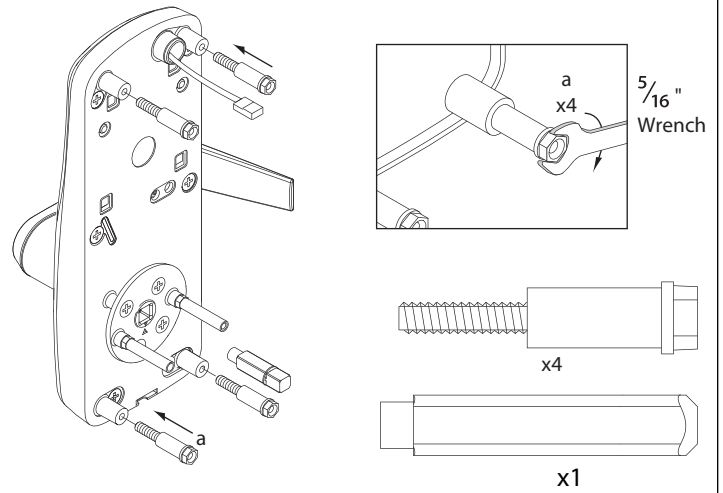
6 Slide Mortice Lock Into Door



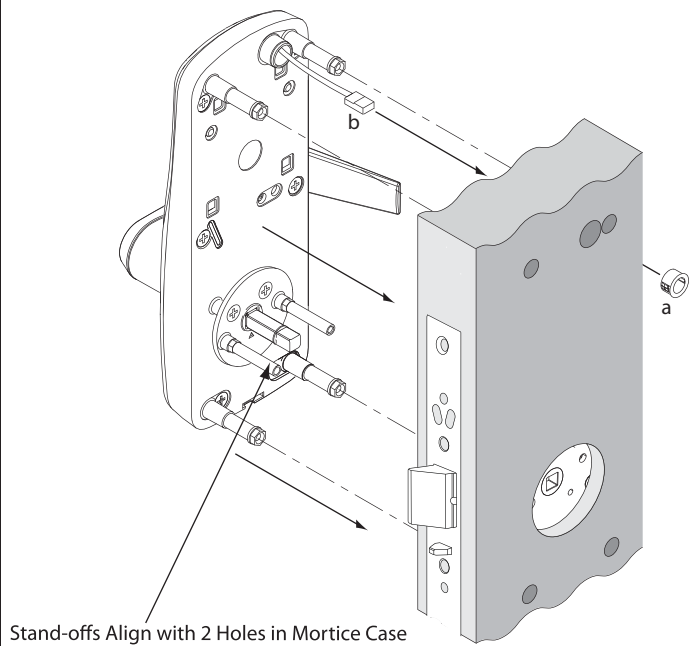
7  Align Triangles



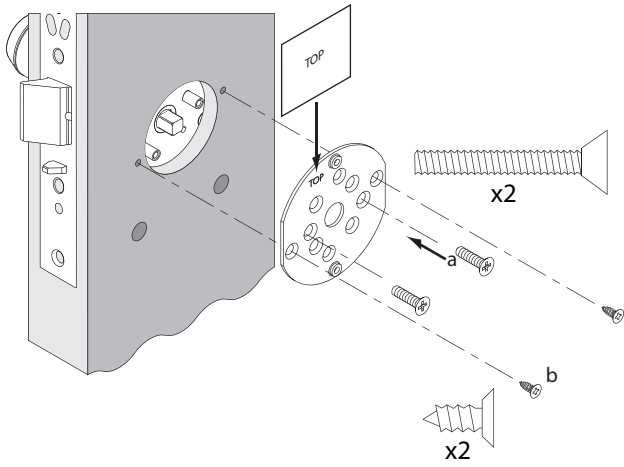
8 Install Outside Spindle and Standoffs



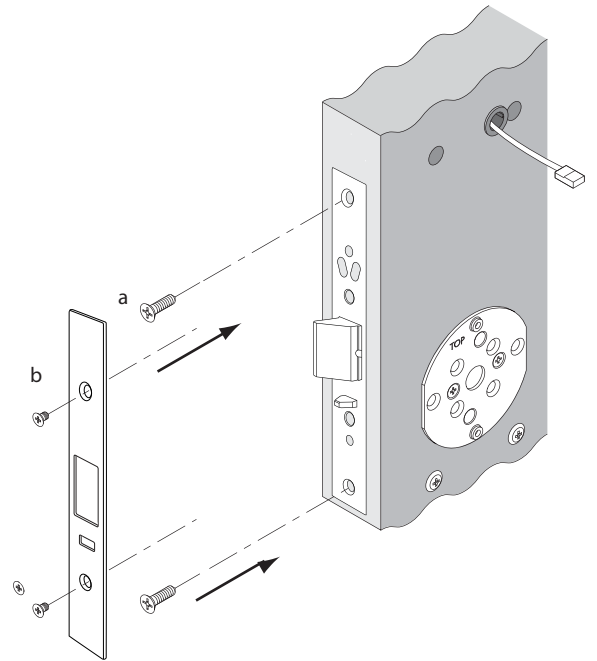
9 Install Bushing and Outside Escutcheon



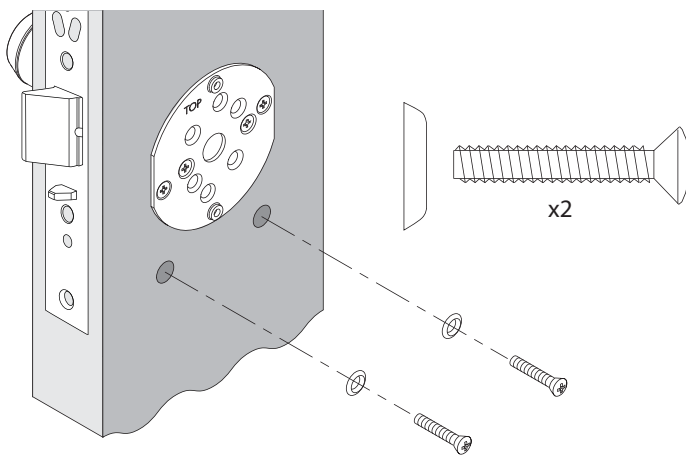
10 Install Plate and Spindle



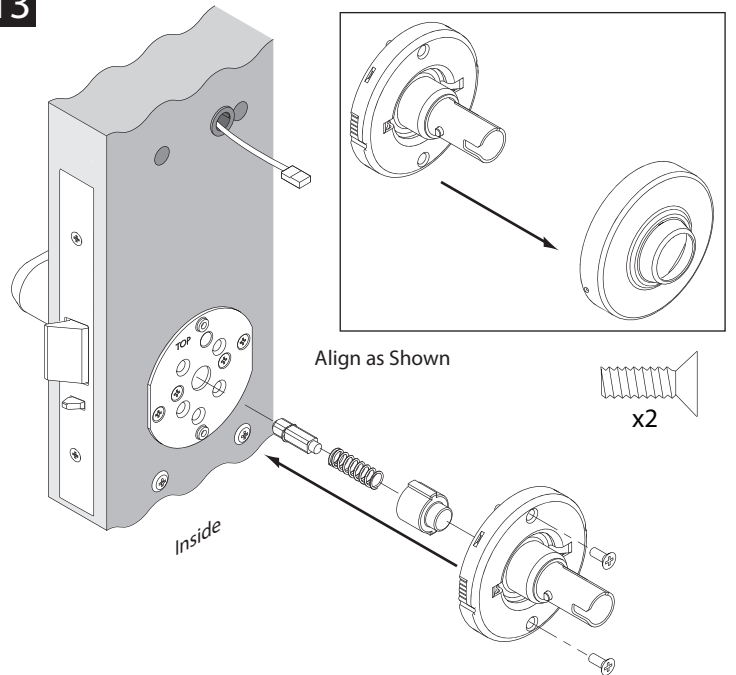
12



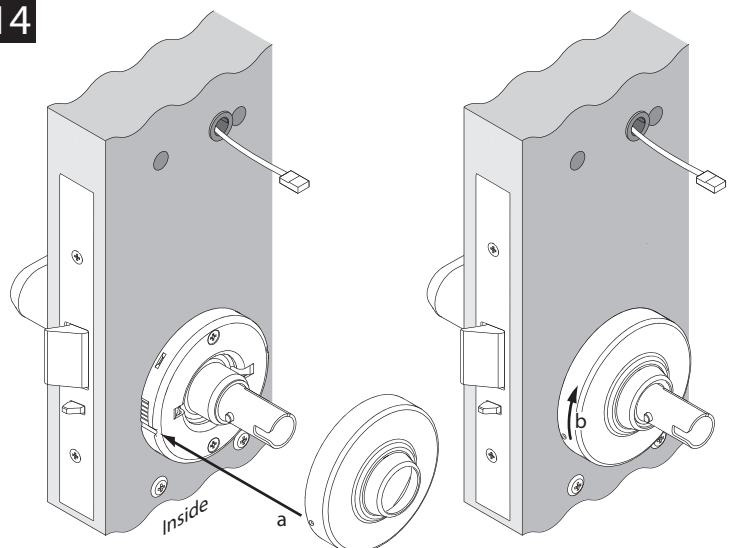
11



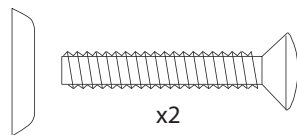
13



14

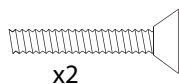


For door thickness
>42mm

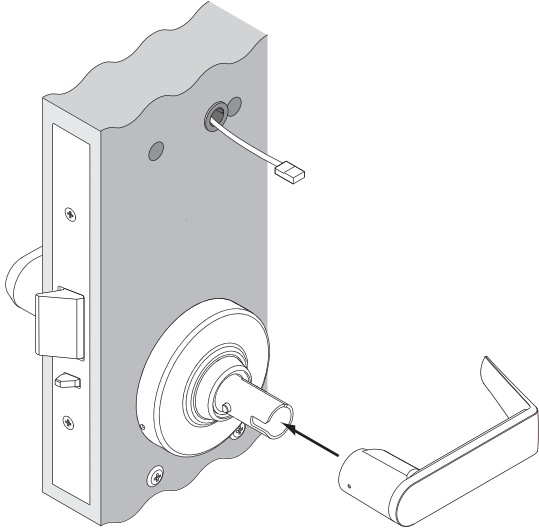


or

For door thickness
35mm - 42mm



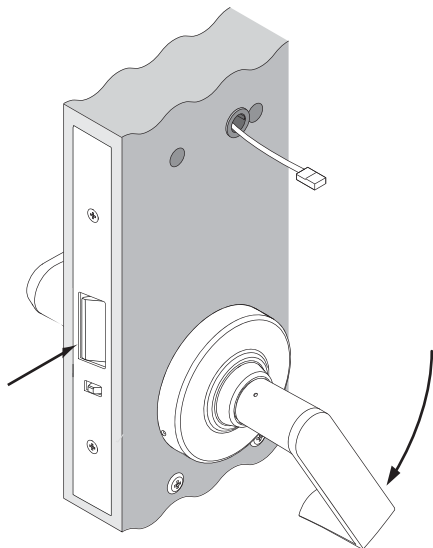
15



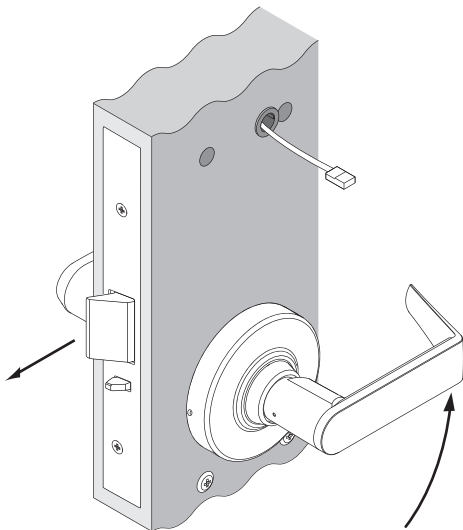
16

Test Mechanical Function

a. Rotate lever down and verify that latch retracts fully



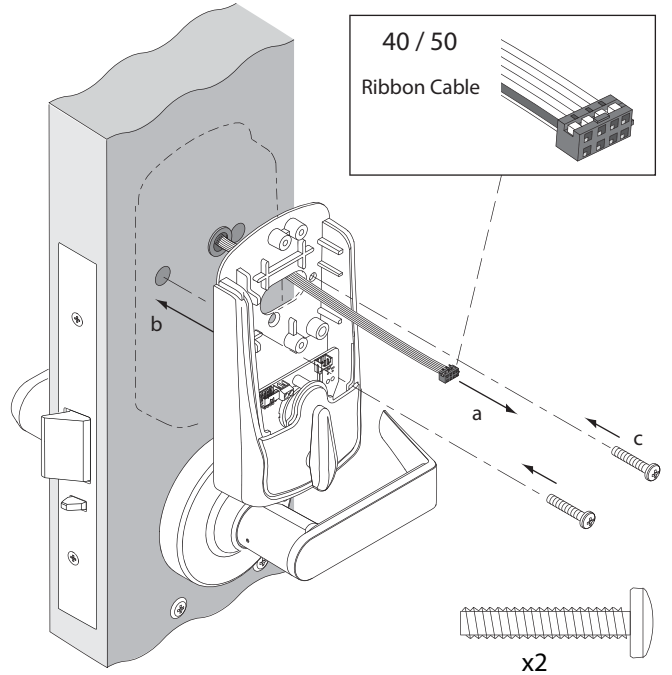
b. Release lever and verify that latch extends fully



17

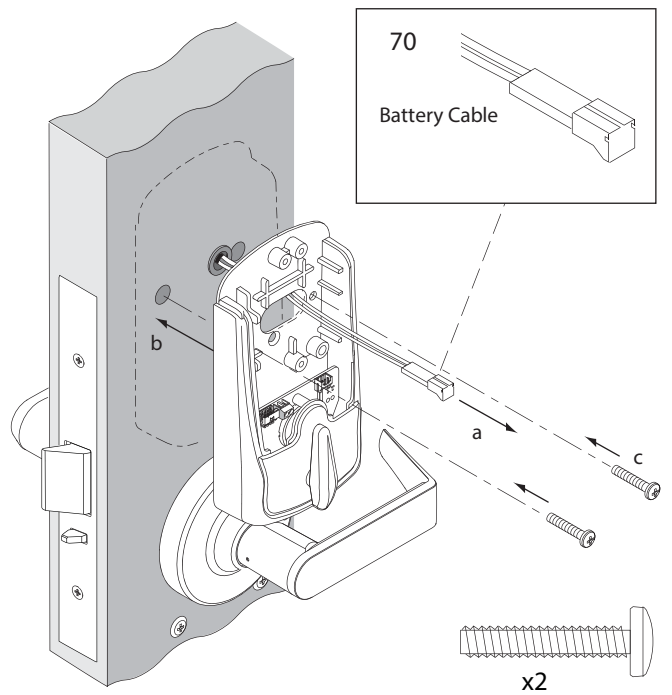
Route Wires and Install Inside Escutcheon

Office (40) or Privacy (50) Functions



OR

Classroom/Storeroom (70) Function

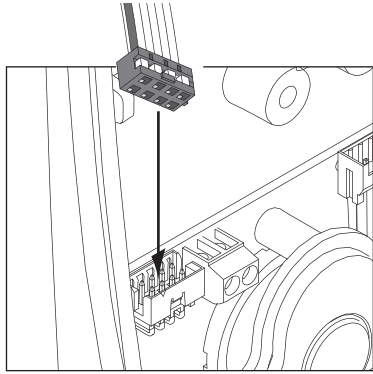


18 Follow Steps Below if 40 or 50 Function Only
If 70 Function, Go to Step 22

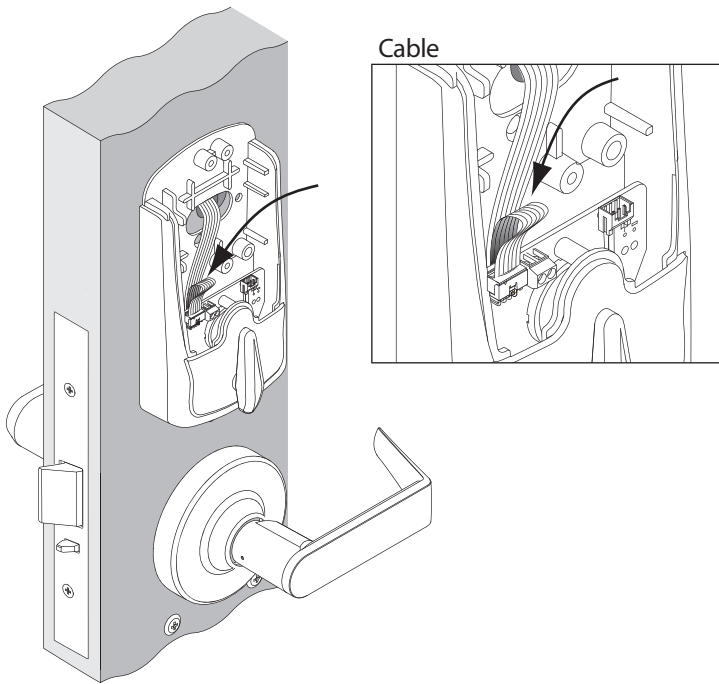
A Install Ribbon Cable

IMPORTANT - the red wire must be on the left.

! Red Wire MUST Be On Left

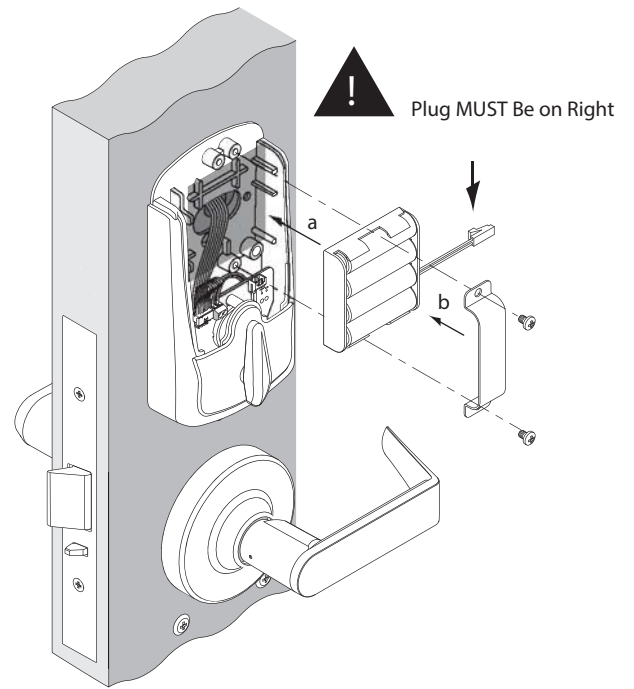


B Tuck Cable and Wires as Shown

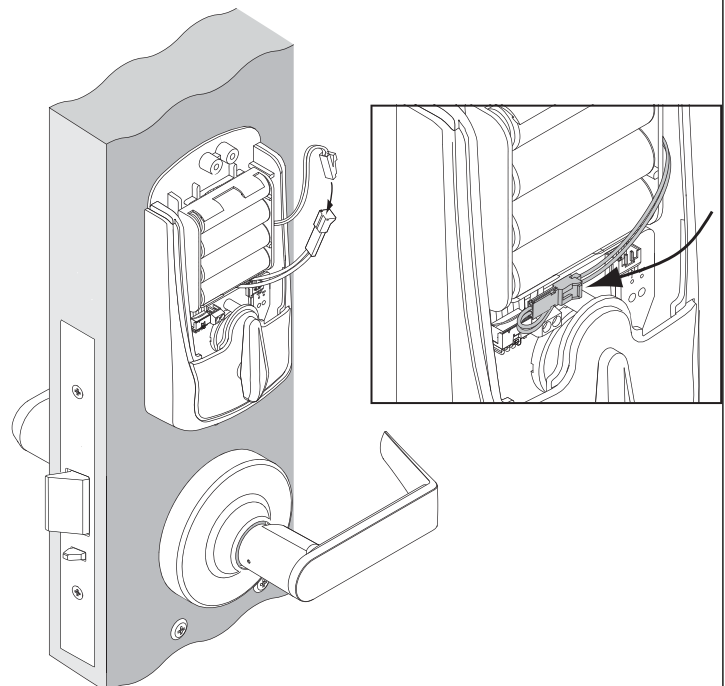


19 Install Battery Holder and Strap

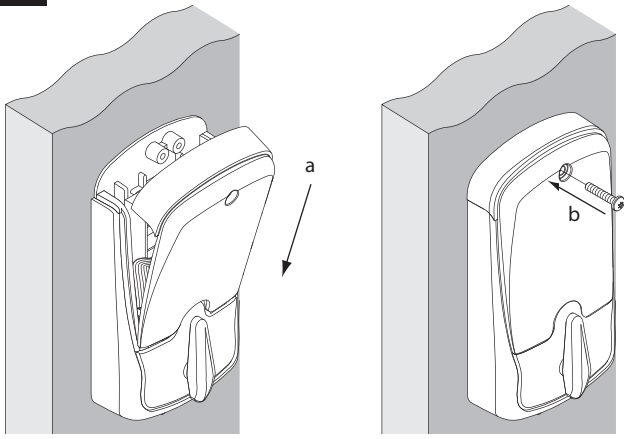
IMPORTANT - when installing the battery pack, the plug for the pack must be on the right.



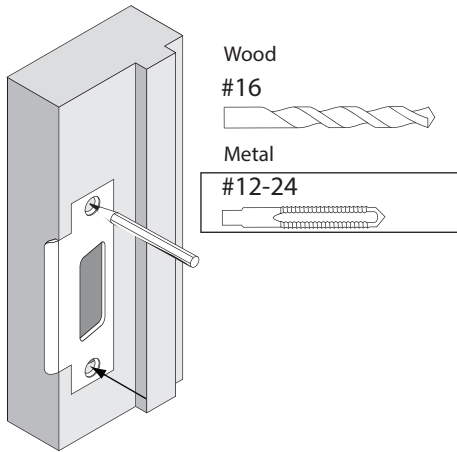
20 Connect Battery Plug and Tuck as Shown



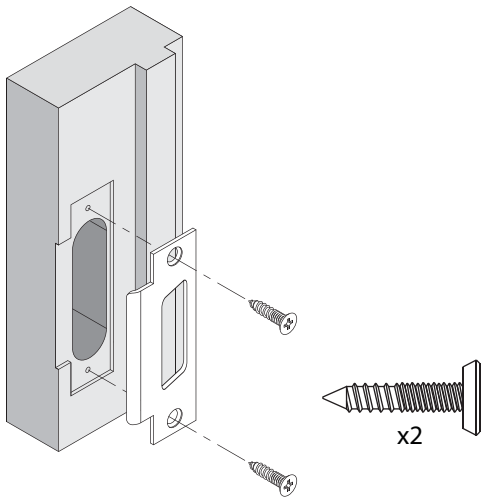
21



22 Prepare Frame

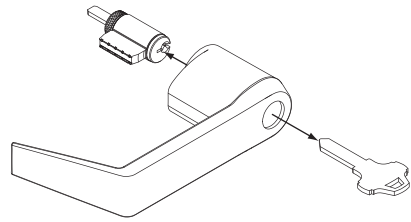


23 Install Strike

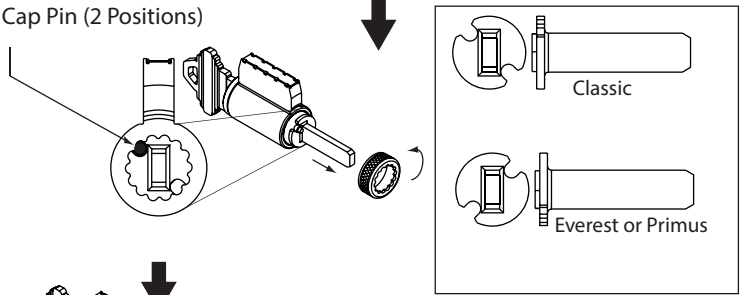


24 After Installing the Lock, See the User Guide for Setup and Operation.

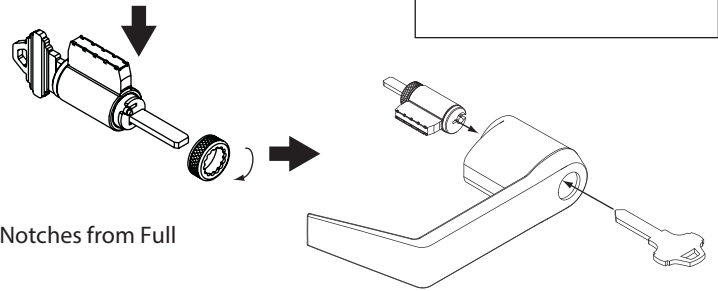
Changing the Cylinder's Tailpiece



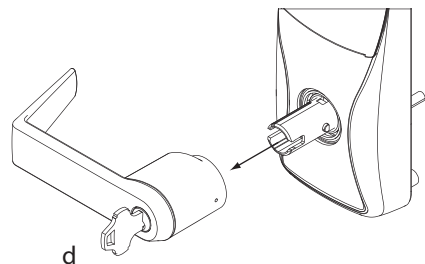
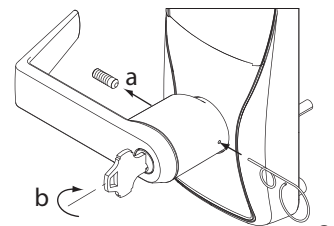
Cap Pin (2 Positions)



2 Notches from Full

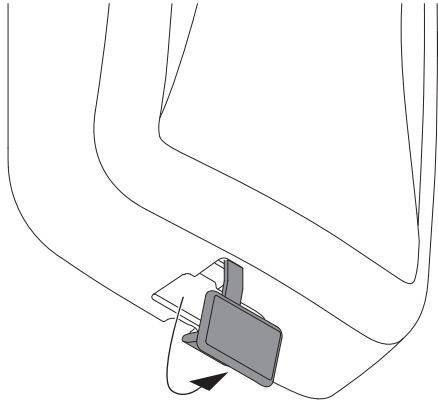


Future Lever Removal

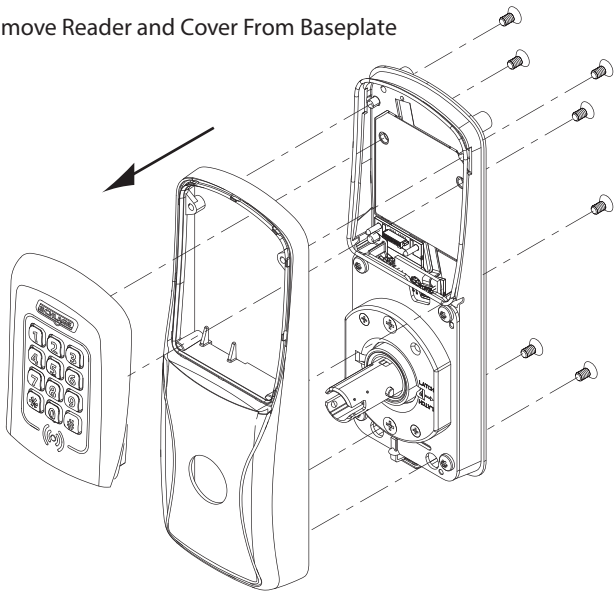


Rehanding

a. If Present, Remove USB plug

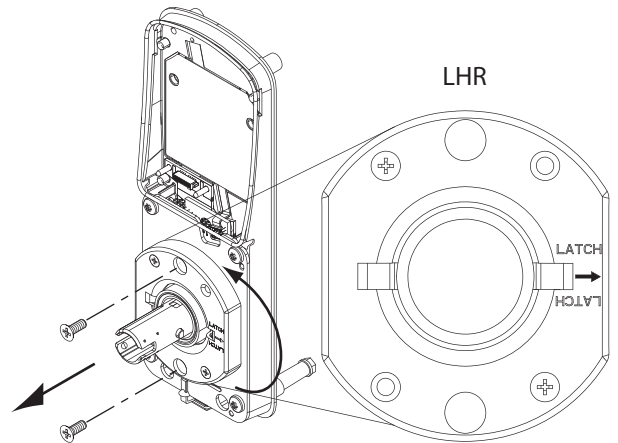


b. Remove Reader and Cover From Baseplate

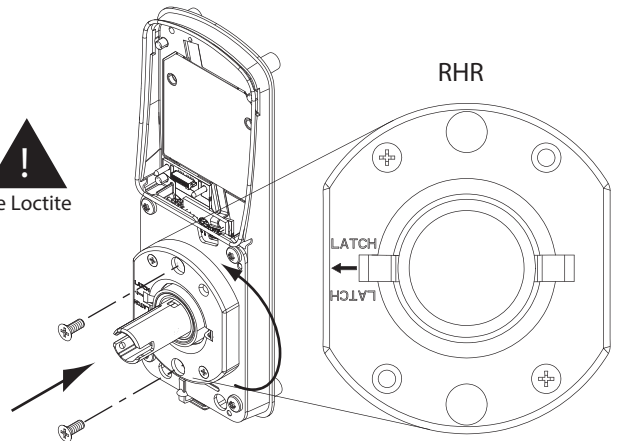


NOTE: On Keypad Only Applications, Reader is Not Removable!

c. Remove Spring Cage, Align Arrow with Latch, and Reinstall



Use Loctite



d. Reinstall Cover and Reader onto Baseplate

