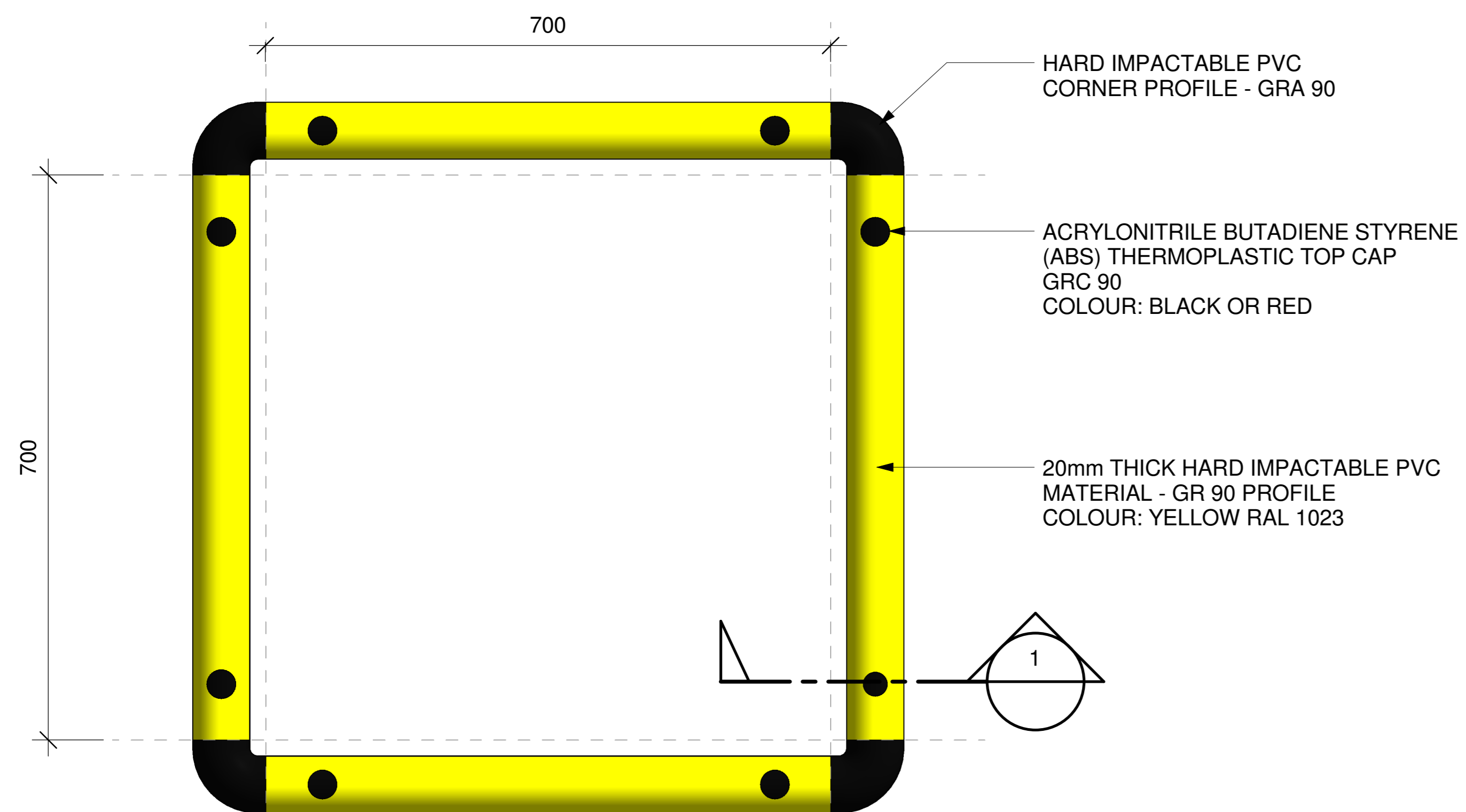


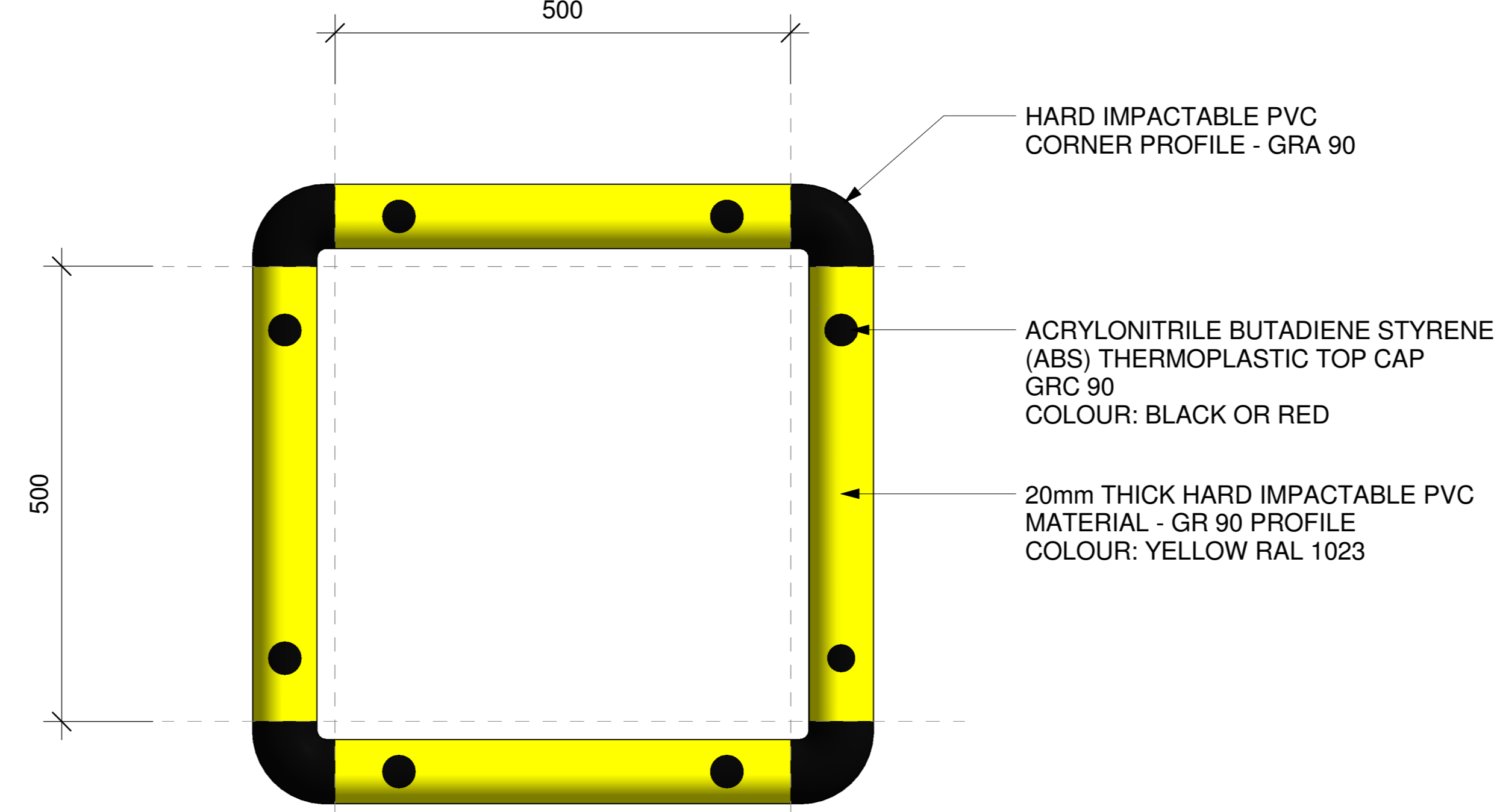
1 SECTION DETAIL

SCALE: 1:2 MTS.



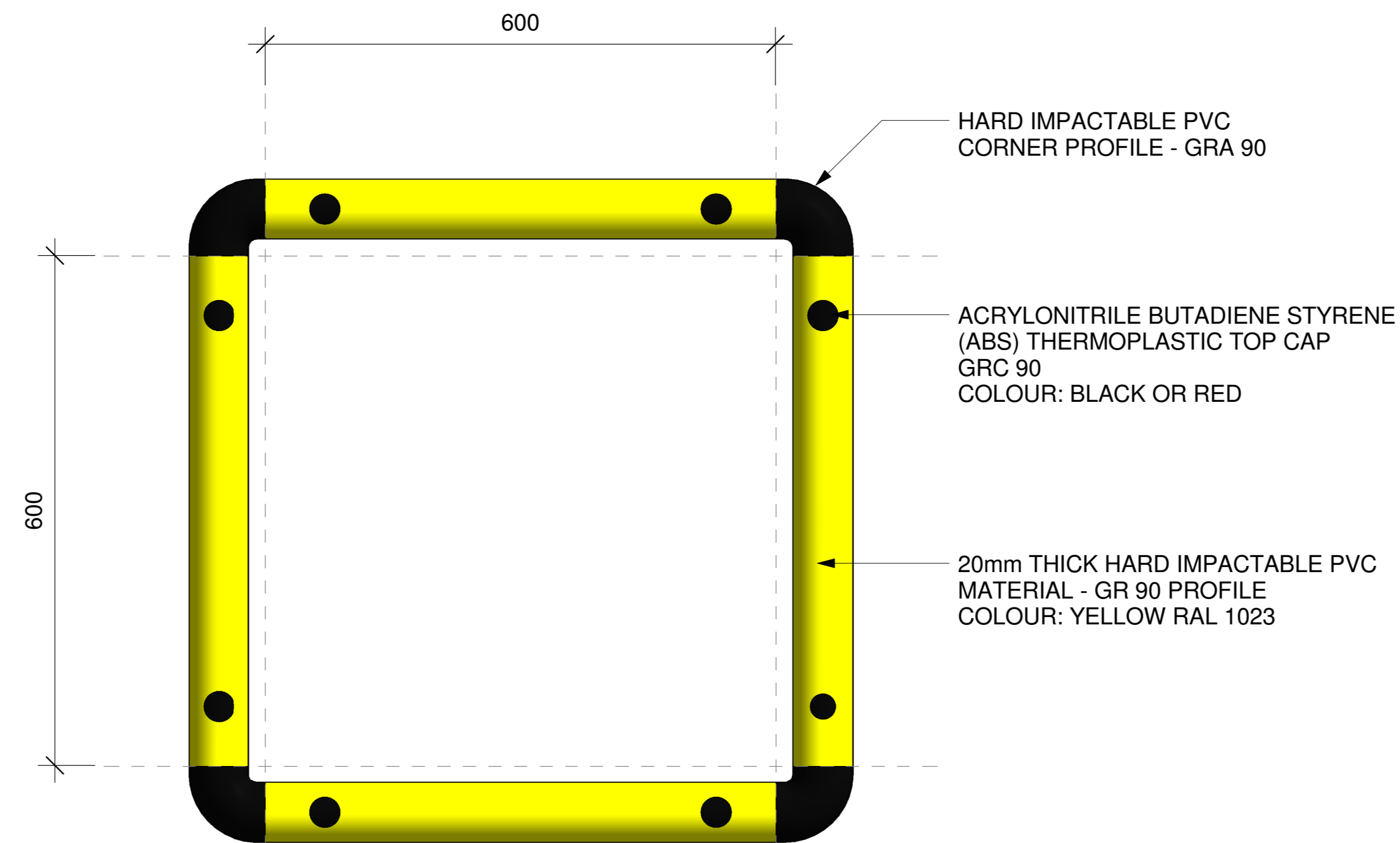
2 PLAN VIEW - 700mm x 700mm

SCALE: 1:5 MTS.



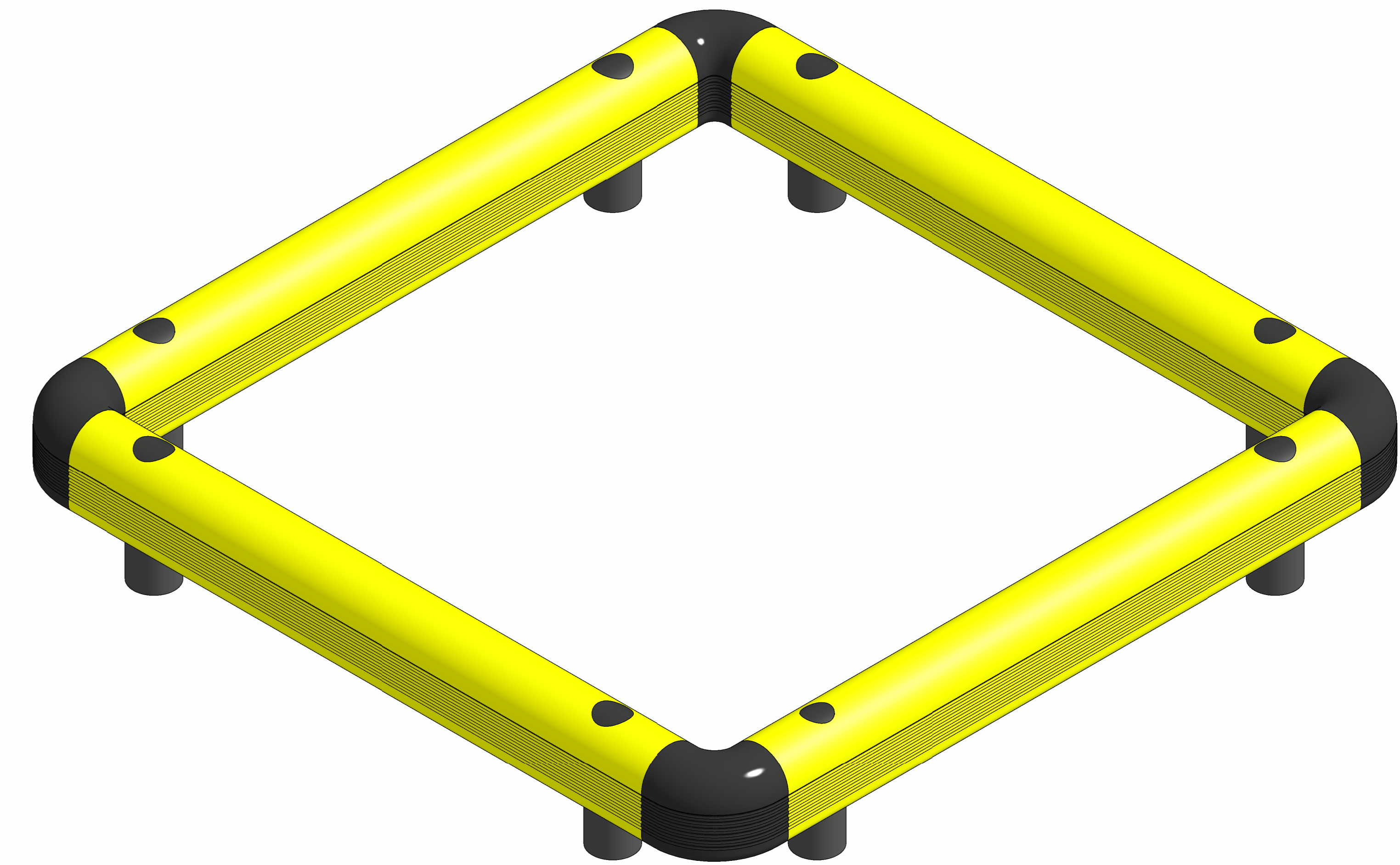
3 PLAN VIEW - 500mm x 500mm

SCALE: 1:5 MTS.



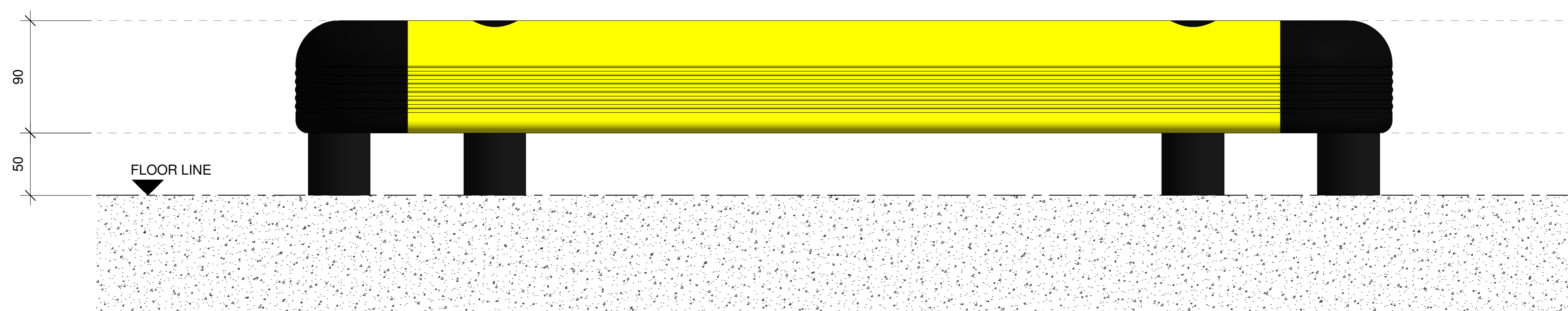
4 PLAN VIEW - 600mm x 600mm

SCALE: 1:5 MTS.



6 3D VIEW

SCALE: N.T.S.



5 ELEVATION VIEW

SCALE: 1:2 MTS.

NOTE:  
CONTACT ULTI GROUP FOR ANY CUSTOMISATIONS  
AND TO DISCUSS PROJECT SPECIFIC INFORMATION



©UlitiGroup LTD, 2017

www.ultigroup.co.nz  
sales@ultigroup.co.nz  
Phone: 0800 807 753  
68 McLaughlins Road, Wiri, Auckland, 2104

# Uliti Impactable PVC Column Protector COPRO 90

No.	Description	Date
1	CHECKED BY TS	02.21.2017

## PLAN VIEW, ELEVATION AND 3D VIEW

Project Number	-
Date	02.17.2017
Drawn By	J.ENRIQUEZ
COLUMNPROTECTOR90-001	
Scale	As indicated