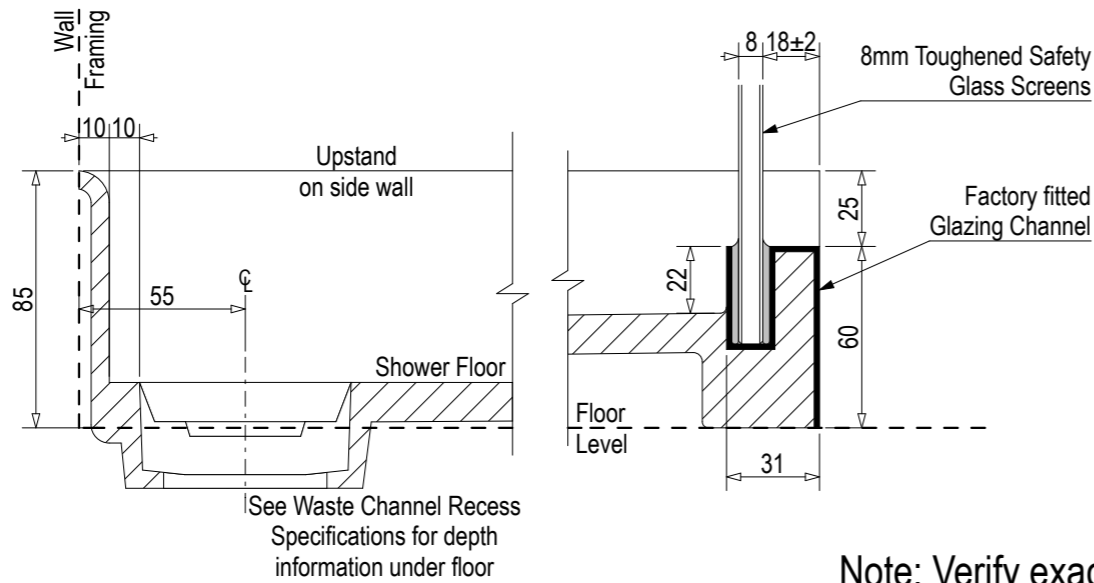
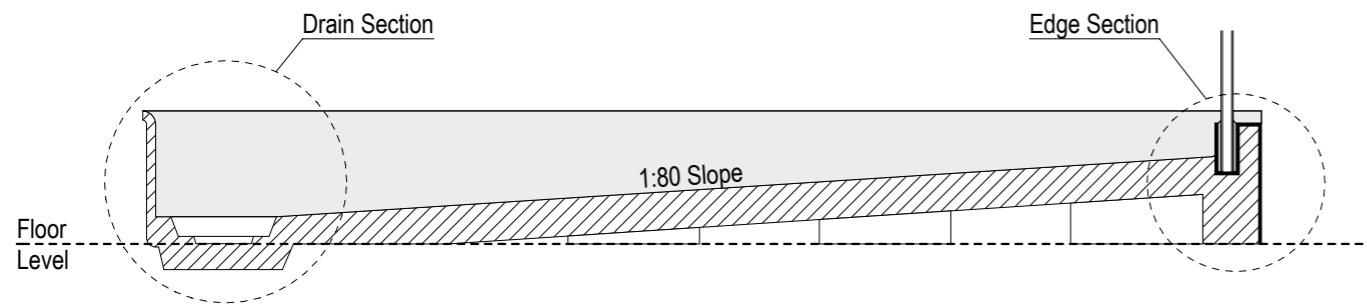
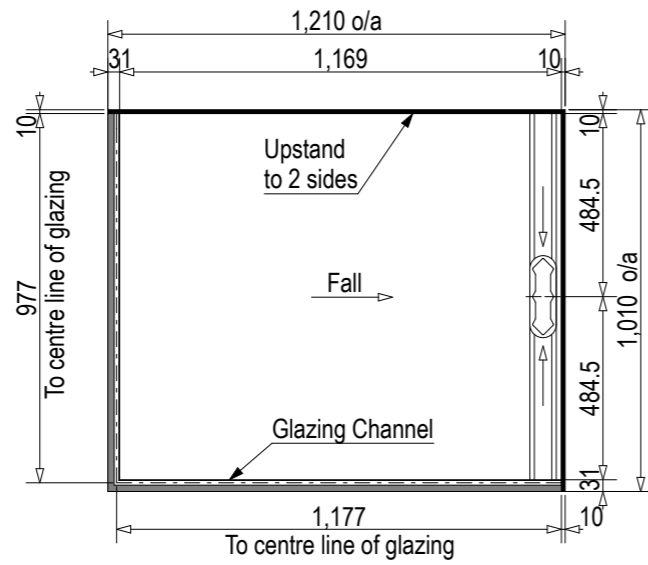


Step Entry

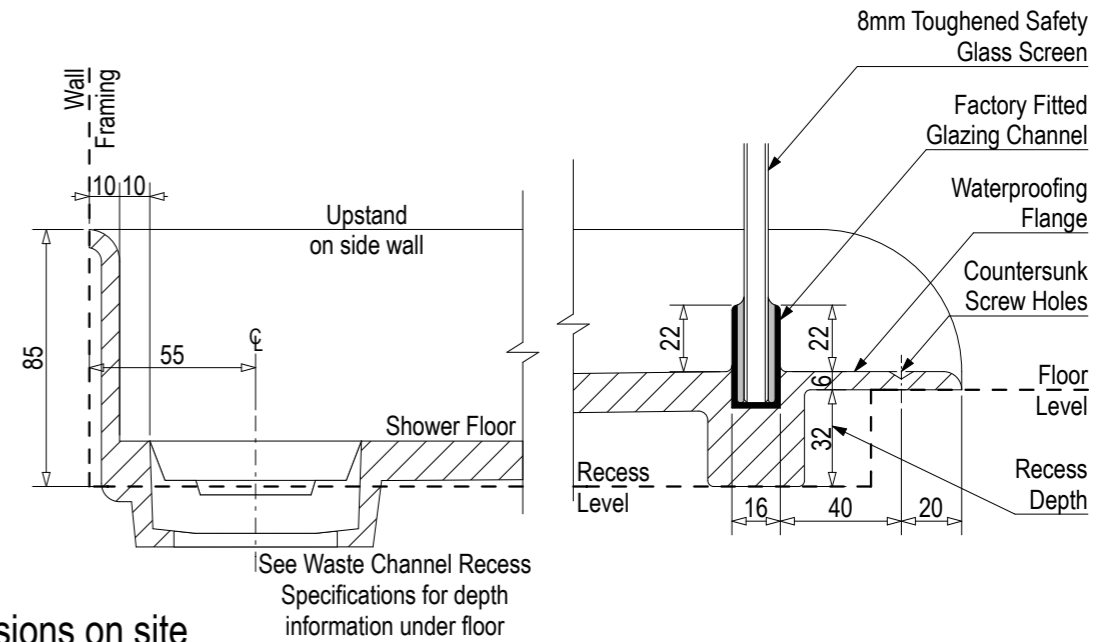
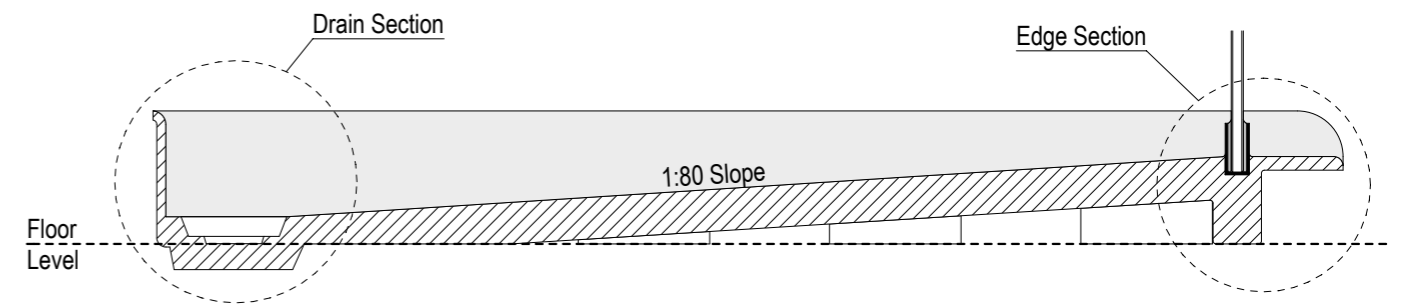
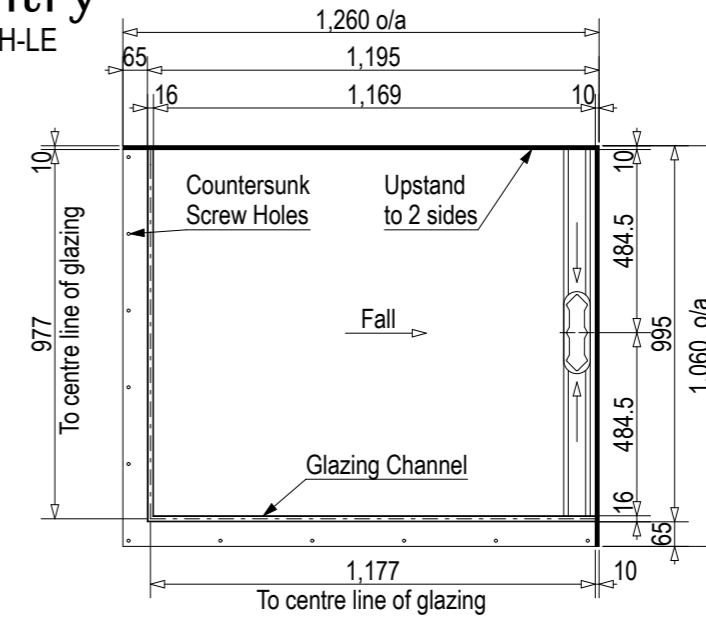
SKU: LQ-SHA-RH-ST



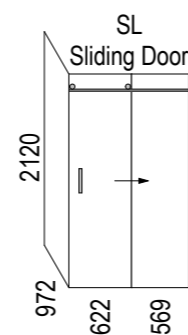
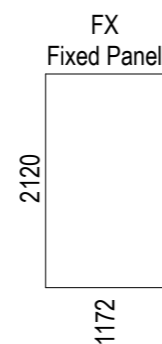
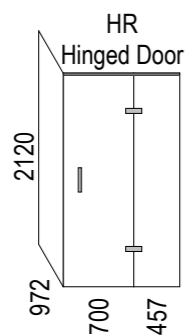
Note: Verify exact shower base dimensions on site

Level Entry

SKU: LQ-SHA-RH-LE



Screen Options:



For more product information go to:

www.atlantis.co.nz/shop/linea-quattro/shanghai-1200x1000/

For installation instructions go to:

www.atlantis.co.nz/trade/installation/

AQUAPLANE WASTE FITTING

- EasyClean Waste with in-built trap
- 50L/min ultra flow rate
- Removable fin for easy cleaning
- 40/50mm outlet with swivel fitting
- Components bolt together for guaranteed watertightness



