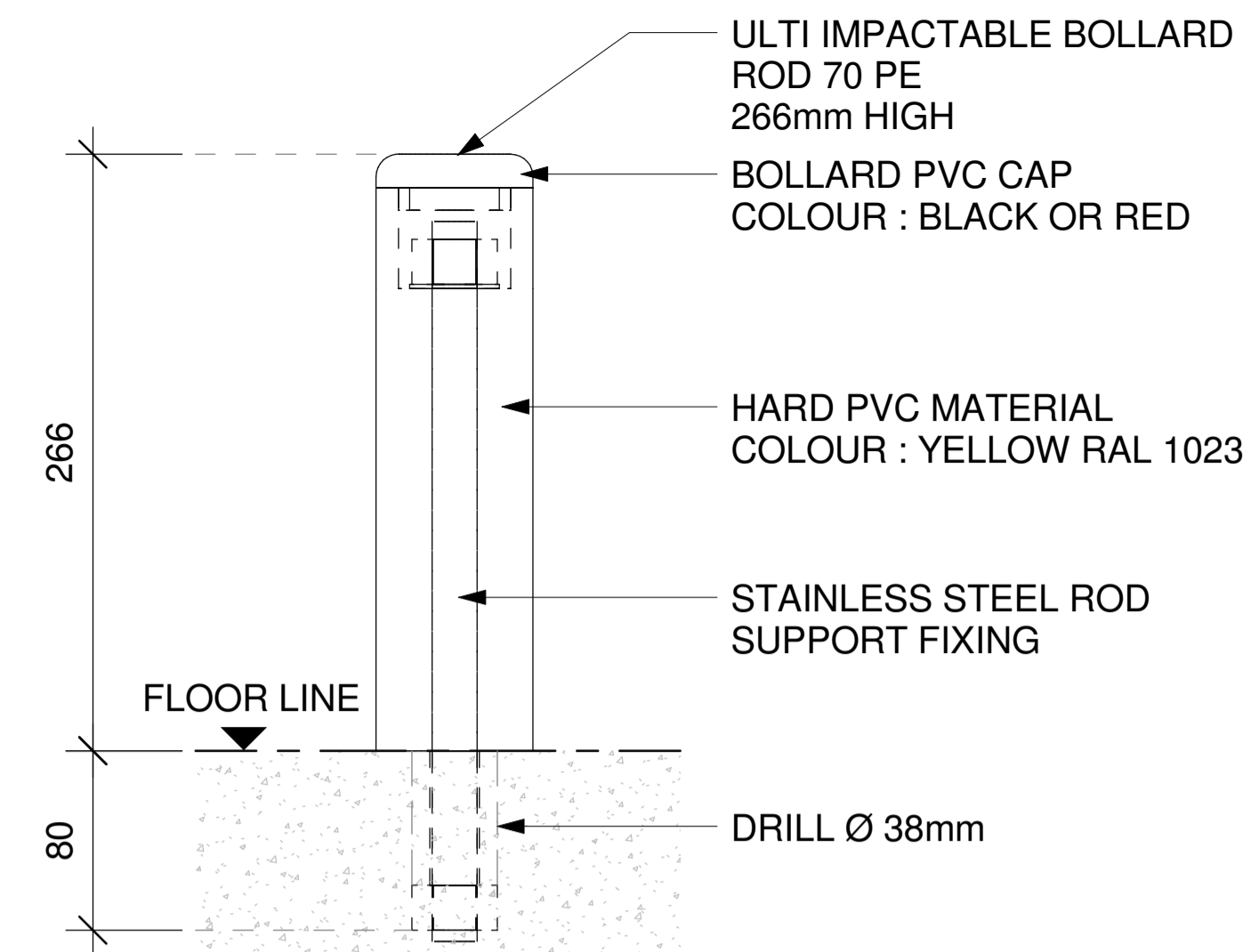
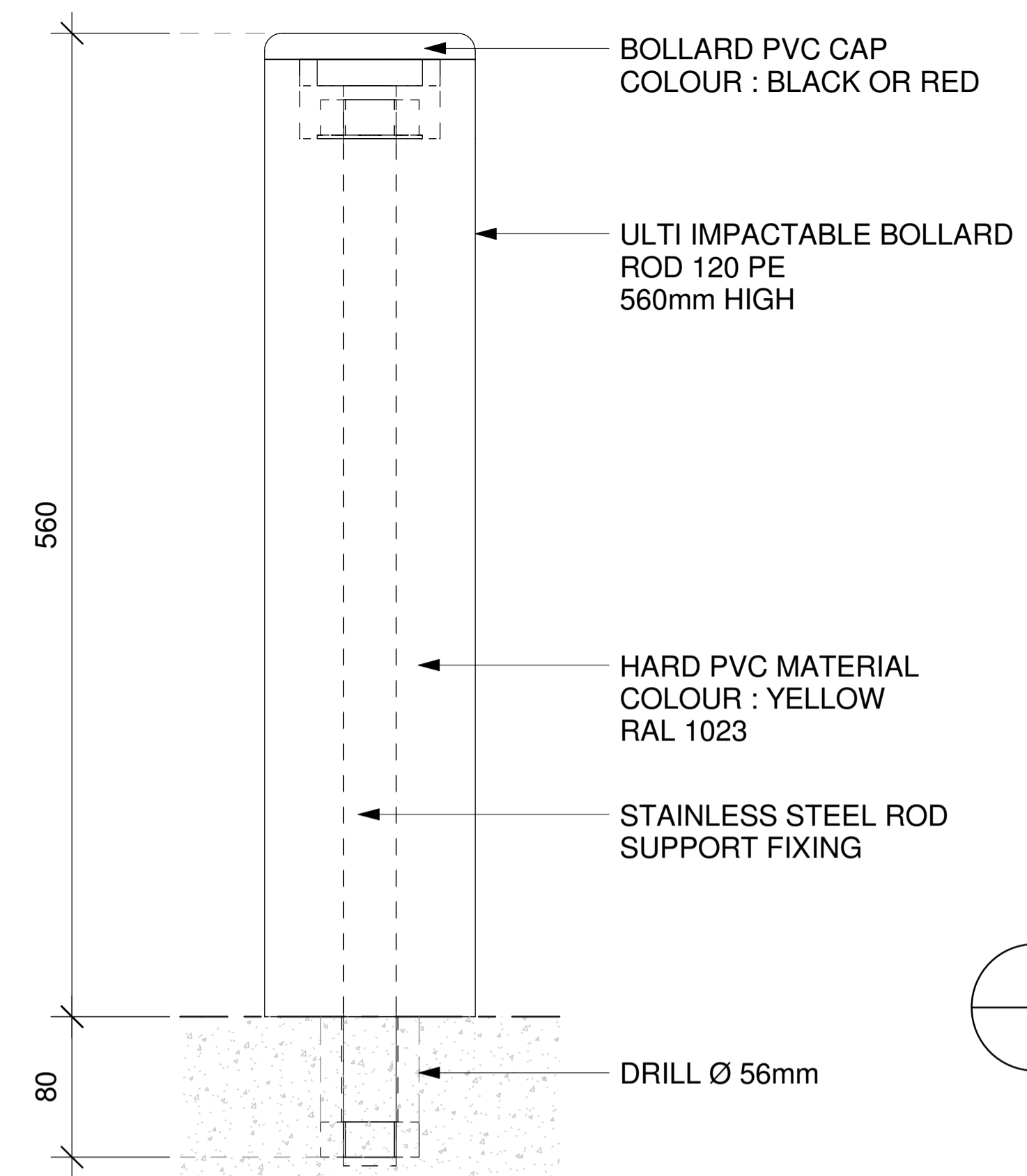


1 PLAN - BOLLARD ROD 70 PE
SCALE: 1:1 MTS.

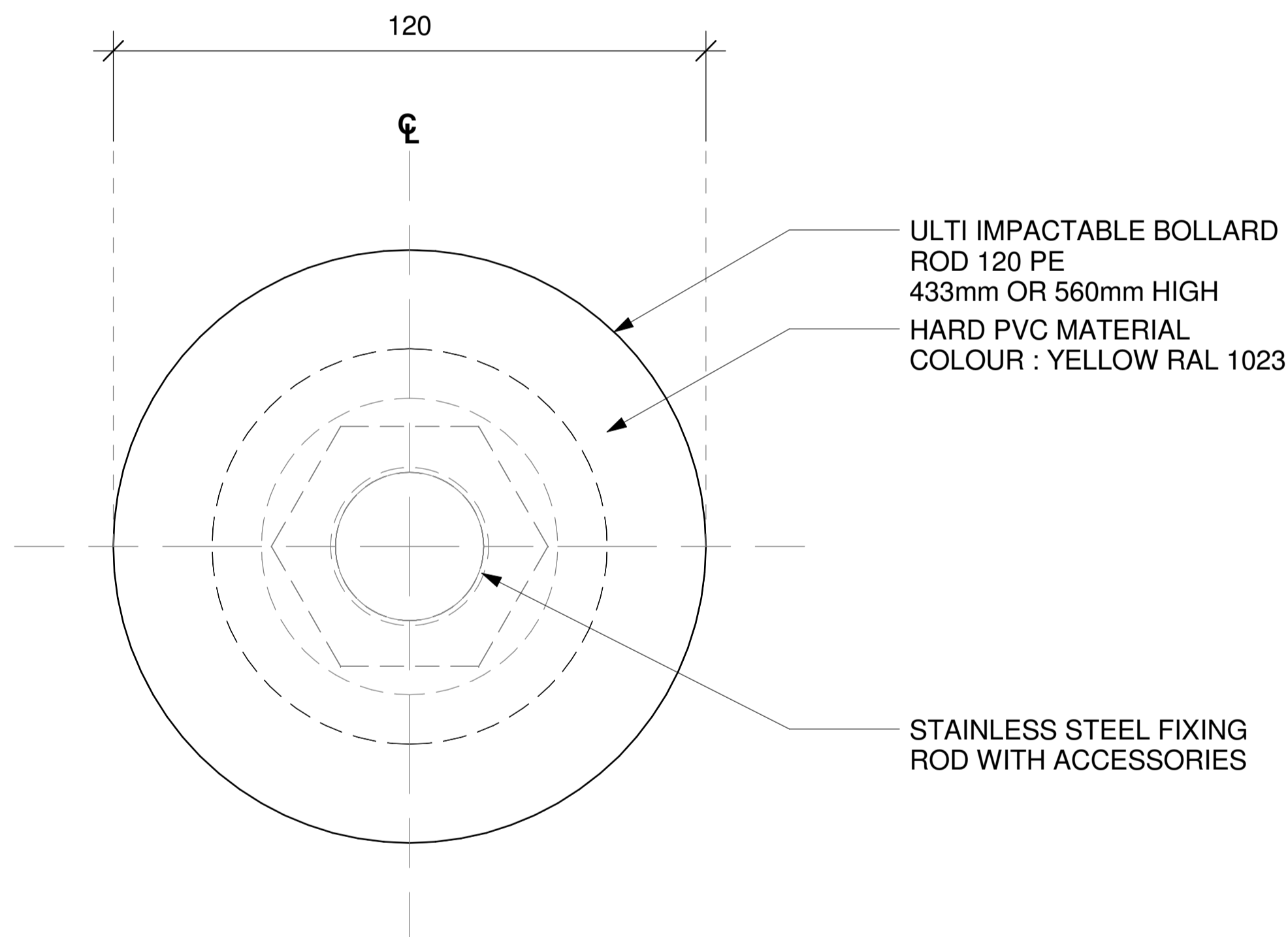
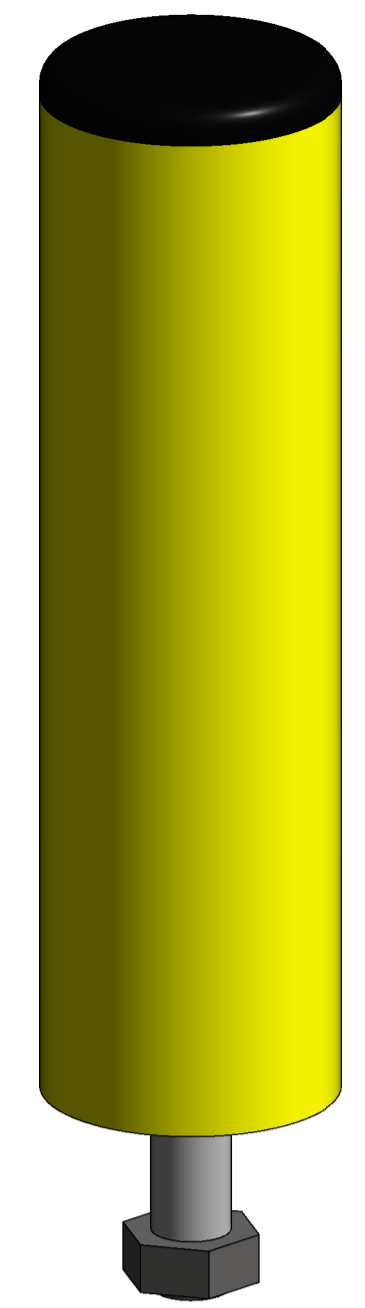


3 ELEVATION - BOLLARD ROD 70 PE
SCALE: N.T.S.

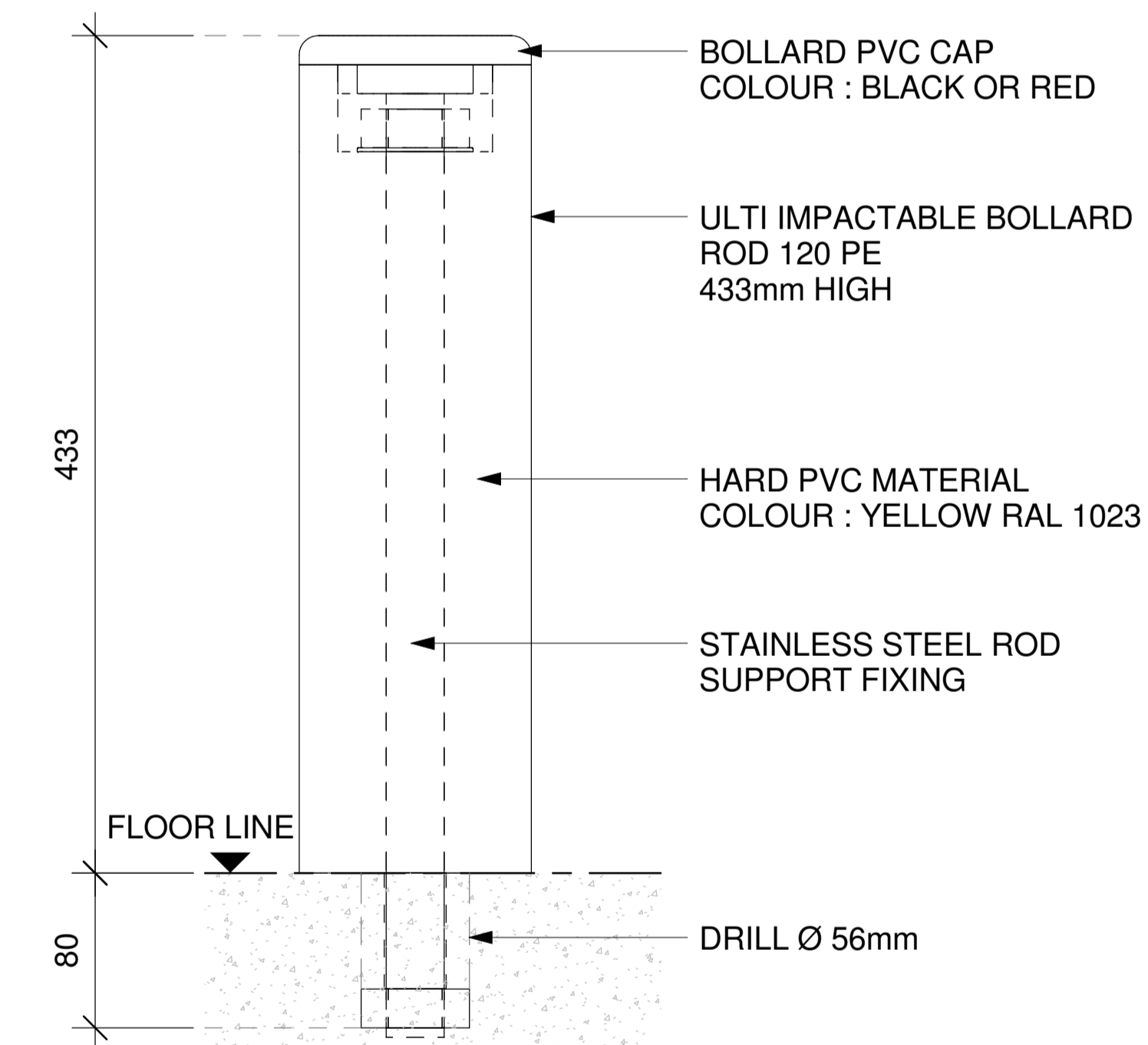


5 ELEVATION - BOLLARD ROD 120 PE 433mm HIGH
SCALE: N.T.S.

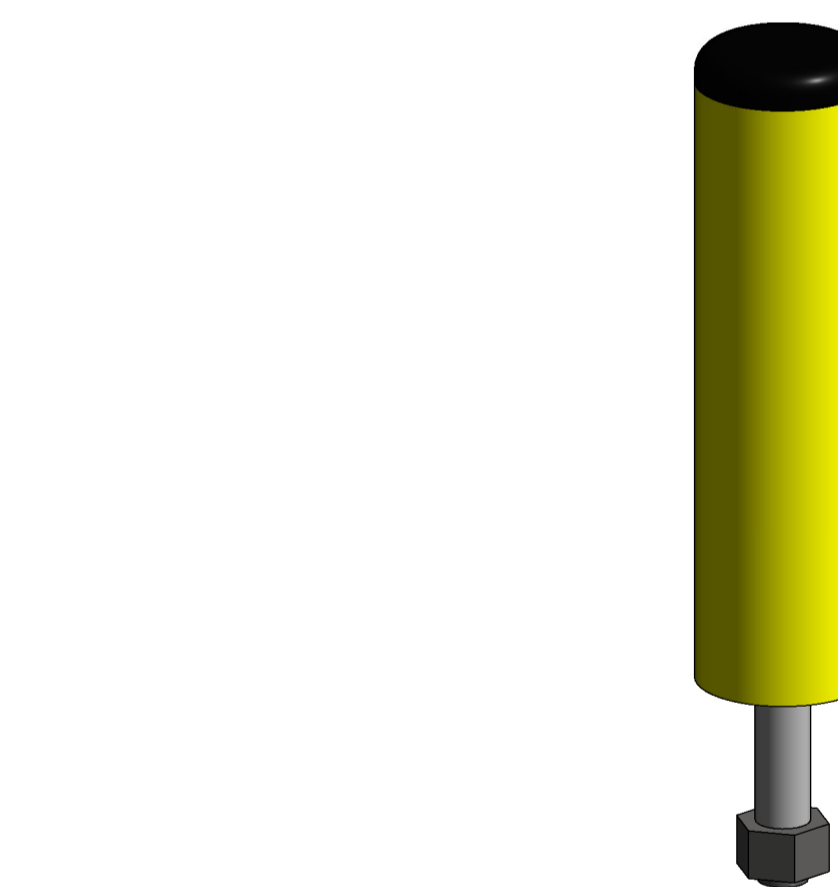
7 3D - BOLLARD ROD 120 PE
SCALE: N.T.S.



2 PLAN - BOLLARD ROD 120 PE
SCALE: 1:1 MTS.

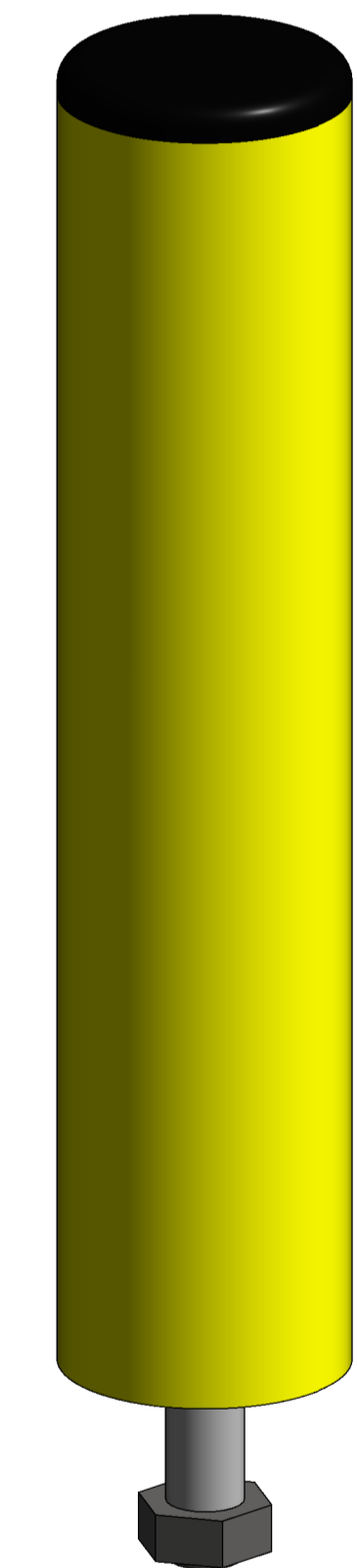


4 ELEVATION - BOLLARD ROD 120 PE 433mm HIGH
SCALE: N.T.S.



6 3D - BOLLARD ROD 70 PE
SCALE: N.T.S.

8 3D - BOLLARD ROD 120 PE
SCALE: N.T.S.



© UltiGroup LTD, 2016

UltiGroup
SPECIALIST ACCESSWAY SOLUTIONS

www.ultigroup.co.nz
sales@ultigroup.co.nz
Phone: 0800 807 753
17 McKee Street, Te Rapa, Hamilton, 3200

Ulti Impactable Bollard - Rod 70 PE, 120 PE 433, 120 PE 560

No.	Description	Date
1	CHECKED BY TS	12.06.2016

PLAN VIEW, ELEVATION AND 3D VIEW	
Project Number	-
Date	12.05.2016
Drawn by	J.ENRIQUEZ
BOLLARD-ROD-001	
Scale	As indicated

NOTE:
CONTACT ULTI GROUP FOR ANY CUSTOMISATIONS
AND TO DISCUSS PROJECT SPECIFIC INFORMATION